

bowen
Q2 2024 PROMOTIONS



**Refresh.
Restore.
Replace.**

Handpiece repairs have been our mainstay since 1987, and with 37 years' experience, we are the logical choice to assess your handpieces with a free, no-obligation estimate.

Rediscover Bowen.



Why send your repairs to Bowen?

Based in beautiful British Columbia, and serving Canadian clients nationwide, Bowen Products Limited was established in 1987 by a small group of committed, experienced professionals with an ongoing passion for serving the dental community.

Industry Longevity

With 37 years of repair experience, we know a thing or two about handpieces. Just give us a call as no question is too big or too small; we're here to help. *(To be honest, we love talking about handpieces...)*

Repair, Warranty, and Order History

In mere seconds and dating back to 2009, we can instantly retrieve all repairs, orders, and tracking data via your unique Bowen profile. Need information on something older? No problem; we still maintain all historical paper files prior to 2009—it'll take us a few minutes, but it's at our fingertips. **Client care is our number one priority.**

Exceptional Client Care

We run circles around full-service dealers in phone and email response times; our repairs are typically in and out the same day of your repair approval and are always shipped via the fastest method possible. **Just one reason out of many to check us out.**

Quality Parts You Can Trust

We only use the highest-quality repair parts from fully licensed Health Canada vendors and manufacturers. You have our assurance that all parts installed in your handpiece are Health Canada licensed and ISO Certified. Plus, Bowen adheres to the latest stringent HC MDEL protocols, and we are fully compliant per our HC MDEL License #4093.

Our promise to you, for your peace of mind.

Handpiece Discount Coupon

Our long-standing \$40 repair discount coupon is applicable toward most handpiece repairs. Available online, download yours at bowenproducts.com/coupon. ***We love saving our clients some money!***

Free, No-obligation Estimates

And we stand by this, 100% of the time—if you decide against a repair, no problem—we never apply an assessment fee and the return shipping is on us. ***We've got your back!***

Now, more than ever, it makes great financial sense to have us evaluate your existing handpieces. Who knows, we could save you hundreds—or even thousands—of dollars repair versus replacing with new! With free, no-obligation estimates, fast turn-around times, and only the highest quality repair parts installed, you've really got nothing to lose. **We are Bowen, and we know handpieces.**

And a bunch of other stuff, too!

High Speed Preventative Service

Schedule your handpiece repair pick-up online at bowenproducts.com or call us at 1-800-663-2541.

After our inspection of your high speed, we will deep clean the handpiece inside and out, perform a head ream to remove dents, and high-pressure flush the chip air and water lines to remove debris, ensuring 100% flow. Models with push button chucks are tested for proper bur retention and if discovered to be weak, we will advise prior to repairs.

All models receive a new turbine suspension kit, rear gasket where applicable, lubrication, thorough test for proper operation, and 30 day written warranty. Free, no-obligation estimates available.

PREVENTATIVE SERVICE STARTING FROM \$95.00

High Speed Canister-Style Turbines

These cost-effective turbines by Sable are specifically made to fit NSK Pana Air, Pana Max, Pana 2000, Henry Schein, Patterson, Champion, and similar styles. Call for other models.



1001401	Mini head, push button 180 day warranty	\$239.00	1001496	Pana Max standard, push button 180 day warranty.....	\$239.00
1001402	Standard, push button 180 day warranty.....	\$239.00	1001301	Mini head, manual chuck 120 day warranty	\$179.00
1001403	Torque head, push button 180 day warranty	\$239.00	1001302	Standard, manual chuck 120 day warranty	\$179.00
1001409	Pana 2000 mini, push button 180 day warranty	\$239.00	1001303	Torque head, manual chuck 120 day warranty.....	\$179.00
1001410	Pana 2000 standard, push button 180 day warranty.....	\$239.00	1001304	Safco Super-Grade, manual chuck 120 day warranty.....	\$179.00

Slow Speed Preventative Service

Free, no-obligation estimates are always available; for models not listed call 1-800-663-2541.

We perform a full dismantle of your handpiece, a deep cleaning inside and out, replace all O-rings and minor parts as needed, grease or lube, re-assemble, adjust as needed, and thoroughly test for proper operation.

Sheaths, Nose Cones, Heads
A-dec, W&H, KaVo Contra Sheaths; NSK, Star, KaVo Straight Nose Cones; KaVo 68 F, G, GDN, LDN, LH Contra Heads; KaVo 31 GR, LR Prophy Heads
STARTING FROM \$109.00

Air-Driven Motors
A-dec, W&H; NSK EX-103/203/204, new generation; KaVo 181, 2307, 2313, 2320; Star 5K, 20K; Weber and related attachments
STARTING FROM \$159.00

Midwest Tru Torc I & II, Shorty Motors

We've tuned and overhauled many of these motors, so in most cases one-day turnaround is available. Remember, we've been restoring handpieces for over 37 years. It's what we do.



Complete Overhaul

Includes 60 minutes of labour, all of the adjacent Tune-Up details, plus turbine bearings, spindle, drive and dry rings, rear tightening rod and bearing, all O-rings, chuck and chuck compressor, sheath lock collar assembly screws and miscellaneous parts, all adjustments and fine-tuning as needed, grease and lubrication, and a thorough test for proper operation. 180 day parts and labour written warranty.

SINGLE SPEED Starting from \$259.00
TWO SPEED Starting from \$299.00

Tune-Up

Includes 30 minutes of labour, full dismantle of motor, thorough deep cleaning of all existing components, new parts replaced limited to drive and/or dry rings, rear tightening rod (Tru Torc only), all O-rings, rear gasket, re-assembly, all adjustments and fine-tuning as needed, grease and lubrication, and a thorough test for proper operation. 30 day warranty.

SINGLE SPEED \$169.00
TWO SPEED \$189.00

Sable N-Style Turbines

Sable turbines are built to the highest standard and feature USA grade ABEC 7 angular contact steel and ceramic bearings. Prices include installation, full service of your handpiece, and a 180 day parts and labour written warranty.



1002100	Ti-Max Z900L, Z900KL, Brasseler NLXK-T Ceramic	
1002101	Ti-Max Z800L, Z800KL, Brasseler NLXK-S Ceramic	
IN STOCK NOW, EACH		\$369.00
1001497	Phatelus I Mini, Twist Free Mini, Alpha-Lite Mini, Viper	
1001498	Phatelus I Standard, Twist Free, Alpha-Lite, Kinetic Viper	
1001499	Phatelus I Torque, Twist Free, Alpha-Lite, Kinetic Viper	
IN STOCK NOW, EACH		\$279.00
3 OR MORE MIX AND MATCH, EACH		\$249.00
1001404	Phatelus II Mini, CH-QD, NL-65	
1001405	Phatelus II Standard, CH-QD, NL-65	
1001406	Phatelus II Torque, CH-QD, NL-65	
1001407	Vip-Air, Healthco Push & Swivel, NVA-SU03	
IN STOCK NOW, EACH		\$289.00
3 OR MORE MIX AND MATCH, EACH		\$259.00

1000167	Ti-Max X500L, X500WL, NL9000M	
1000168	Ti-Max X600L, X600WL, NL9000S, NL4500, Surgical X450, Sabra Power 45	
1000169	Ti-Max X700, NL9000T	
1001501	Mach-Lite XT Mini, Mach-Lite, Mach-QD, NL-75, NL-85	
1001502	Mach-Lite XT Standard, Mach-Lite, Mach-QD, NL-75, NL-85	
1001503	Mach-Lite XT Torque, Mach-Lite, Mach-QD, NL-75, NL-85	
1001506	Ti-Max A500L Mini, NL-95M, AK500L	
1001507	Ti-Max A600L Standard, NL-95S, AK600L	
1001508	Ti-Max A700L Torque, NL-95T, AK700L	
1001509	S-Max M500 Mini	
1001510	S-Max M600 Standard	
IN STOCK NOW, EACH		\$299.00
3 OR MORE MIX AND MATCH, EACH		\$279.00

Even More Bowen Advantages

Unlike many of our competitors, we never charge an extra labour fee.

Our turbine prices include a full service of your handpiece with a deep cleaning inside and out, a high pressure flush of water/air lines/ports, polish of fiber optics, turbine installation; and after repair, a thorough test for proper operation.

For your peace of mind, Bowen includes a written warranty with each repair.

Your handpiece make, model, and serial number, plus the warranty expiry date are all recorded conveniently in one location and returned with your repair.



Impact Air 45 Surgical Handpiece Repair

Sable's superior turbine and cap kit is engineered to seamlessly fit into your Impact Air 45 surgical handpiece.

Includes turbine installation, full service and cleaning of handpiece, and a 180 day warranty—twice as long as the OEM warranty.

1001158	Push button kit Turbine and cap	\$399.00
----------------	---------------------------------	-----------------



Sabra OMS 45/Power 45 Surgical Handpiece Repair

Prices include an OEM Sabra turbine, full service and cleaning of your handpiece, and a 180 day written warranty.

ST-10	Replacement turbine For OMS-45 Old-Style QD-J	\$399.00
ST-11	Replacement turbine For OMS-45-II, 45-FO, 105	\$399.00
ST-20	Replacement turbine For Power 45 Series	\$399.00

Sable Premium Turbines Designed For Most OEM Models

The Sable turbines listed below are built with European sourced Myonic bearings, which meet or exceed ABEC 9/ISO P2 running tolerances for extremely quiet, reliable operation. All prices listed on this page **include** a full service of your handpiece, deep clean, high pressure flush of water/air line/ports, polish of fiber optics, turbine installation, and a 1 year parts and labour written warranty.



1000104	A-dec, W&H 895, 898, 195, 198 Topair.....	\$399.00	1000110	M-Style, Tradition Series XGT push button	\$399.00
1000105	A-dec, W&H 896, 196 Toplight	\$399.00	1000112	M-Style, Quiet Series push button	\$399.00
1000124	A-dec, W&H Trend TC-95RM.....	\$399.00	1000153	M-Style, Stylus 360S-541S	\$399.00
1000118	A-dec, W&H Synea TA-96	\$399.00	1000181	M-Style, Stylus 890 Standard <i>Ceramic</i>	\$399.00
1000164	A-dec, W&H Synea TA-97/LED	\$399.00	1000182	M-Style, Stylus 990 Mini <i>Ceramic</i>	\$399.00
1000119	A-dec, W&H Synea TA-98	\$399.00	1000183	M-Style, Tradition Series lever type*.....	\$499.00
1000172	A-dec, W&H Synea TA-98/LED	\$399.00	1000184	M-Style, Quiet Series lever type*.....	\$499.00
1000101	KaVo 632, 633, 634, 639, 642, 643B, 645	\$399.00	1000185	M-Style, Tradition Series manual chuck*.....	\$359.00
1000102	KaVo 625C, 630, 640	\$399.00	1000186	M-Style, Quiet Series manual chuck*.....	\$359.00
1000115	KaVo 635B.....	\$399.00	1002102	M-Style, Tradition Series PLUS push button	\$399.00
1000165	KaVo 635BR, 637 <i>Ceramic</i>	\$399.00	1002107	M-Style, Tradition Series PRO-TLF lever type	\$399.00
1000179	KaVo 636, 646 <i>Ceramic</i>	\$399.00	1002108	M-Style, Tradition Series PRO-TBF push button.....	\$399.00
1000122	KaVo 647B, 649B	\$399.00	1002109	M-Style, S-Series PLUS/PHNX push button <i>Ceramic</i>	\$399.00
1000171	KaVo 4500B, 4500BR, M4500L <i>Ceramic</i>	\$399.00	1001158	Palisades Impact Air* <i>Includes cap</i>	\$399.00
1000116	KaVo 650B.....	\$399.00	2009901	Sable Access II <i>Mini head</i>	\$329.00
1000125	KaVo 6000B	\$399.00	2009903	Sable Rotamax II <i>Torque head</i>	\$329.00
1000178	KaVo 6500 <i>Ceramic</i>	\$399.00	2009910	Sable S600NL <i>Ceramic</i>	\$359.00
1000189	KaVo 6500BR <i>Ceramic</i>	\$399.00	2009911	Sable S700NL <i>Ceramic</i>	\$359.00
1000191	KaVo SMARTtorque S609C, S619L <i>Standard</i>	\$399.00	2009912	Sable Access S4500KL <i>Ceramic</i>	\$359.00
1000192	KaVo SMARTtorque S605C, S615L <i>Mini</i>	\$399.00	2009913	Sable Rotamax S6500KL <i>Ceramic</i>	\$359.00
1000194	KaVo EXPERTtorque E679L, E680L <i>Ceramic</i>	\$399.00	2009914	Sable Access Pro NL & KL <i>Ceramic</i>	\$399.00
1000197	KaVo EXPERTtorque E675L, E677L <i>Mini, ceramic</i>	\$399.00	2009915	Sable Rotamax Pro NL & KL <i>Ceramic</i>	\$399.00
1000198	KaVo MASTERtorque Lux M8700L <i>Mini, ceramic</i>	\$399.00	2009916	Sable Rotamax 45° <i>Surgical Ceramic</i>	\$399.00
1000199	KaVo MASTERtorque Lux M8900L <i>Torque, ceramic</i>	\$399.00	1000106	Star 430/431 <i>Requires lubrication</i>	\$399.00
1000127	MK DENT small head model	\$399.00	1002112	Star 430 Torque Flex <i>Ceramic</i>	\$399.00
1000128	MK DENT large head model, triple spray	\$399.00	1000162	Star 430 <i>Lube-free, ceramic</i>	\$399.00
1000129	MK DENT large head model, single spray.....	\$399.00			

*Denotes 6 month warranty

We can help stretch your repair budget.

Redeem to save \$40.

Simply include our coupon with your next handpiece repair you send to Bowen. You'll instantly save \$40 on each handpiece you send in... now that's real savings!

Download at [bowenproducts.com/coupon](https://www.bowenproducts.com/coupon)

Slow Speed Motor O-ring Kit

Set of 3 O-rings for most E-Type slow speed motors.



2001233 MSRP \$39
IN STOCK NOW \$29.00

Real handy. Multi-Purpose 4-Hole Air Nozzle



With a stepped barb and included gasket, this cost-effective tool makes cleaning or flushing handpiece air/water lines easy. Simply connect to any handpiece tubing to instantly create an air nozzle.

P-1045 MSRP \$57
IN STOCK NOW \$49.00

Autoclavable Gaskets

Replace handpiece gaskets every six to eight months—a simple routine that will help to save money and time.

ISO 6-Hole

P-1027-5 5-pack \$20.00
P-1027-25 25-pack \$93.00



M-Style 5-Hole

- For Midwest OEM Q-Tubing adapter
- Red/silver metal flanged

753342
IN STOCK NOW \$55.00



4-Hole

P-1017-5 5-pack \$6.00
P-1017-25 25-pack \$25.00



5-Hole

P-1018-5 5-pack \$7.00
P-1018-25 25-pack \$27.00



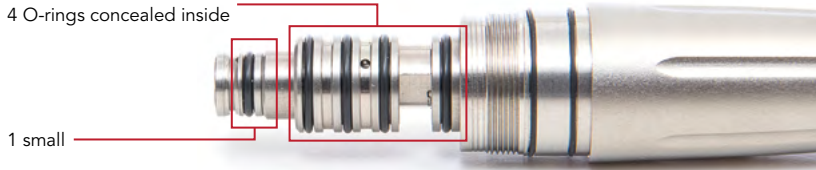
O-ring Kits by Sable

With repeated stresses of heat sterilization and wear and tear from regular use, you should replace your backend O-ring kits at least every 6 months. Bowen stocks the most common kits.

For N-Style Back-End Handpieces

- Contains 1 small and 4 large O-rings
- Fits all NSK/Brasseler high speeds, Sable/NSK models, Sabra OMS 45 and Sabra Power 45 surgical handpieces

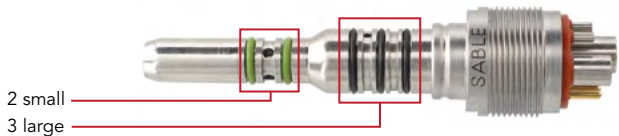
Sheath removed to reveal
4 O-rings concealed inside



2001232 MSRP \$49
IN STOCK NOW \$39.00

For KaVo Couplers

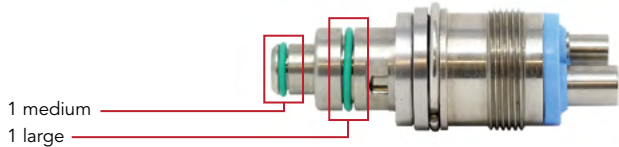
- Contains 2 small and 3 large O-rings



2001231 MSRP \$55
IN STOCK NOW \$45.00

For Star 430 SWL Coupler (Kit by HPP)

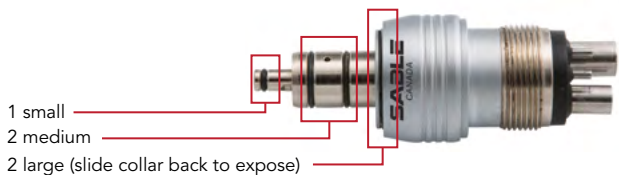
- Contains 2 sets



HPP HSV181 MSRP \$32
IN STOCK NOW \$25.00

For Sable Access/Rotamax II Coupler

- Contains 1 small, 2 medium and 2 large O-rings



2001217 MSRP \$39
IN STOCK NOW \$29.00

Bio-Pure Evacuation System Cleaner

Bio-Pure is an all natural microbial-based cleaning product and uses living organisms to effectively clean your system 24/7; 1 microbe becomes 10 million in just 24 hours. Eliminates 100% biofilm plaque, prophy paste, and organic debris.

- All natural and non-foaming
- The right microbes and enzymes together for clean vacuum lines
- Compatible and best choice for all brands of amalgam separators
- Costs 40% less than other brands
- For eVac maintenance or between patient flush
- Bio-Pure meets new EPA 6-8 pH guidelines
- 100% eco-friendly
- Eliminates manual daily trap cleaning
- Easy to use—just mix with water and go
- 100% satisfaction guaranteed or your money back



BEST PRICE GUARANTEE

If you see a lower Canadian advertised price on any Bio-Pure products, please call us—we won't be undersold!



MADE IN USA

Step 1: Starter Kit

Bio-Pure "Restore" Complete Evacuation System Restorative

- 6-ounce container—that's 67 treatments
- Includes HVE-SE Dispenser valued at \$48 plus a \$25 rebate coupon to be used towards your next order

2801101 MSRP \$140
IN STOCK NOW **Save \$101**.....\$112.00

Step 2: Maintenance Kit

Bio-Pure "Complete" Evacuation System Cleaner

- 48-ounce container—that's 533 treatments
- Includes HVE-SE Dispenser valued at \$48

2801003 MSRP \$529
IN STOCK NOW **Save \$108**.....\$469.00

Conventional
snap-on
rubber tip



DCI Economy Saliva Ejector Valve, Snap-on Tip

Includes a cleaning brush and coupler with each valve purchased—a \$30 value.

- Triple anodized aluminum, no screens required, fully autoclavable
- Snap-on tip

5660 MSRP \$60
IN STOCK NOW \$50.00
5-PACK, ONLY \$38 EACH *Save \$140* \$190.00

SE body has threaded
end, rubber tip has
internal brass threads



DCI Economy Saliva Ejector Valve, Threaded Tip

Includes a cleaning brush and coupler with each valve purchased—a \$30 value.

- Threaded tip means no more accidental tip pop-offs
- Fully autoclavable, including threaded tip

5650 MSRP \$71
IN STOCK NOW \$61.00
5-PACK, ONLY \$49 EACH *Save \$140* \$245.00



Anti-retraction
built in

DCI Economy Saliva Ejector Valve

Includes cleaning brush and anti-retraction coupler with each valve purchased—a \$54 value.

- With 360° quick disconnect anti-retraction coupler
- Prevents patient from overcoming low volume vacuum through saliva ejector tip; blocks reverse flow through valve
- Fully autoclavable, including snap-on tip

5664 MSRP \$90
IN STOCK NOW \$79.00
5-PACK, ONLY \$68 EACH *Save \$164* \$340.00



5150

5148

DCI Economy HVE Vacuum Valves

Each model includes a quick disconnect coupler and cleaning brush, a \$34 value.

Mix and match for savings!

- One piece autoclavable body
- Your choice of extended or short body models

5150 Extended HVE vacuum valve
5148 Short body HVE vacuum valve

MSRP \$75 EACH
IN STOCK NOW \$59.00
5-PACK, ONLY \$49 EACH *Save \$164* \$245.00

Super PW-Lube

Perfect for all HVE, SE, and 3-way syringe O-rings!

- Moisture resistant
- Silicone base lubricant
- For synthetic and rubber O-rings
- 5 oz tube



P-1800 MSRP \$48
IN STOCK NOW \$38.00

SE Anti-Retraction Check Valve

- Converts any SE tubing to anti-retraction
- Prevents back-flow
- Easy to install barbed ends
- Long lasting plastic
- Non-restricting

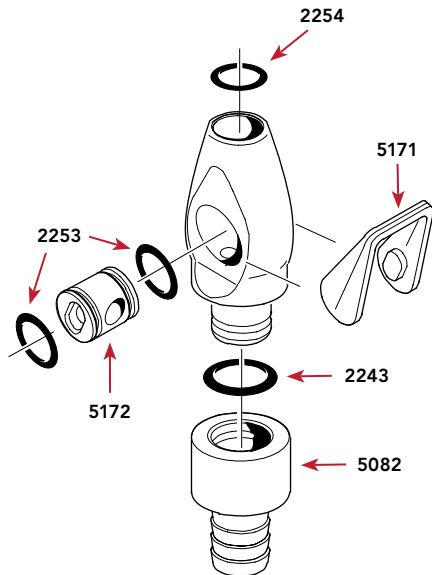


V-1846 MSRP \$21
IN STOCK NOW \$11.00
10 OR MORE, EACH \$8.00

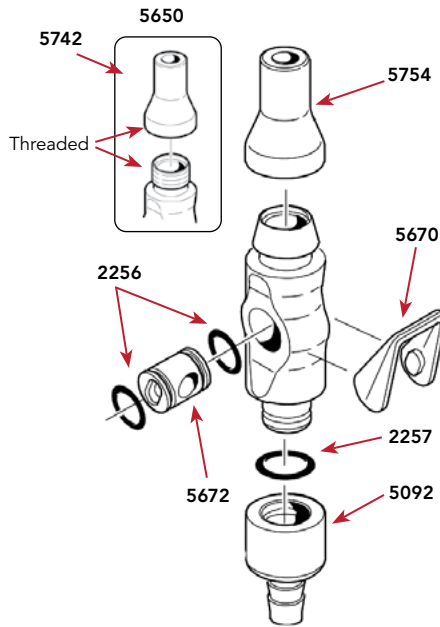
Restore your vacuum.

These autoclavable DCI replacement parts can help make your vacuum operate like new again. Looking for a different DCI component breakdown? Call 1-800-663-2541 and we'll provide it for you.

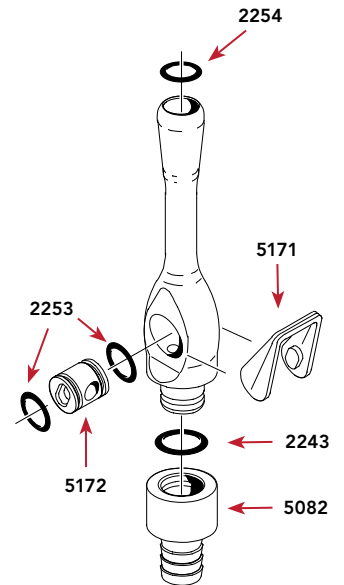
5148 HVE Shown



5660 SE Shown



5150 HVE Shown



2243	O-ring 12-pack.....	\$16.00	5185	Anodized SE swivel, anti-retraction <i>Not shown</i>	\$38.00
2253	O-ring 12-pack.....	\$16.00	5620	HVE brush 5-pack.....	\$16.00
2254	O-ring 12-pack.....	\$16.00	5621	SE brush 5-pack.....	\$16.00
2256	O-ring 12-pack.....	\$16.00	5622	Surgical tip brush 5-pack.....	\$28.00
2257	O-ring 12-pack.....	\$16.00	5623	Medium tip brush 5-pack.....	\$28.00
5082	Anodized swivel with O-ring <i>HVE</i>	\$18.00	5670	SE lever 10-pack.....	\$65.00
5092	Anodized swivel with O-ring <i>SE</i>	\$14.00	5672	Valve spool with O-rings.....	\$9.00
5171	HVE lever 10-pack.....	\$75.00	5742	SE tip, screw-on.....	\$24.00
5172	Valve spool with O-rings.....	\$10.00	5754	SE tip, snap-on 10-pack.....	\$45.00

Our most popular replacement parts, bundled for convenience!



SE Threaded Spare Tip

- Fits 5088, 5650
- Sold individually, latex-free

5742 MSRP \$36
IN STOCK NOW \$24.00



SE Snap-On Spare Tip

- Fits 5090, 5655, 5660, 5664
- 10-pack, latex-free

5754 MSRP \$48
IN STOCK NOW \$45.00



SE Spare Lever

- Fits 5650, 5660, 5664
- 10-pack, autoclavable

5670 MSRP \$78
IN STOCK NOW \$65.00



HVE Spare Lever

- Fits 5148, 5150, 5200
- 10-pack, autoclavable

5171 MSRP \$95
IN STOCK NOW \$75.00

DCI Precision Comfort Series

Includes cleaning brush and coupler with each valve purchased—a \$35 value.

Contemporary design features larger, ergonomic levers—reversible for left- or right-hand operation—for smoother activation while wearing gloves, a 360° quick disconnect coupler, fully autoclavable vacuum bodies, and a 1 year warranty.

Precision Comfort Saliva Ejector Valve

- No rubber tip or screens required
- Includes 360° quick disconnect coupler and cleaning brush

5222 MSRP \$85
IN STOCK NOW \$70.00
5-PACK, ONLY \$60 EACH *Save \$125* \$300.00

Precision Comfort Extended HVE Valve

- Includes 360° quick disconnect coupler with integrated debris prevention guard and cleaning brush

5112 MSRP \$89
IN STOCK NOW \$73.00
5-PACK, ONLY \$62 EACH *Save \$135* \$310.00

Precision Comfort Short Body HVE Valve

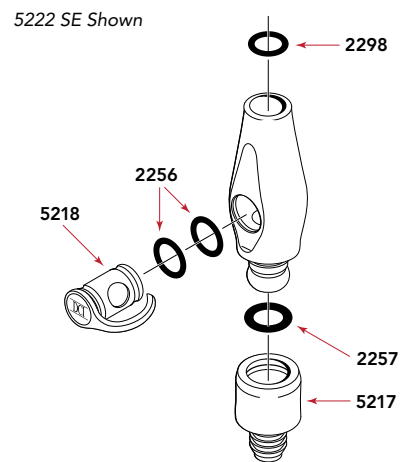
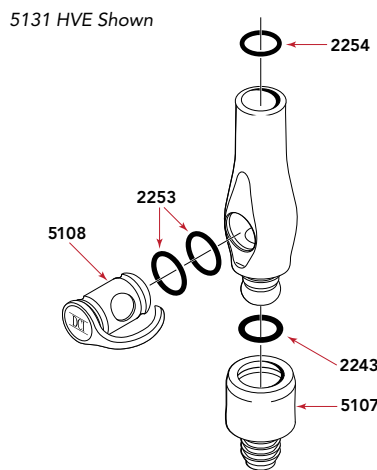
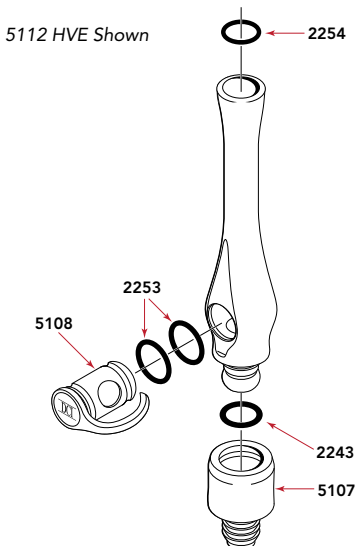
- Includes 360° quick disconnect coupler with integrated debris prevention guard and cleaning brush

5131 MSRP \$89
IN STOCK NOW \$73.00
5-PACK, ONLY \$62 EACH *Save \$135* \$310.00



Precision Comfort Autoclavable Vacuum Valve Parts

2243 O-ring 12-pack.....	\$16.00	2298 O-ring 12-pack.....	\$29.00
2253 O-ring 12-pack.....	\$16.00	5107 Premium anodized swivel for 1/2" tubing.....	\$19.00
2254 O-ring 12-pack.....	\$16.00	5217 Premium anodized swivel for 3/16" tubing.....	\$19.00
2256 O-ring 12-pack.....	\$16.00	5108 Premium anodized HVE lever & spool valve assembly.....	\$28.00
2257 O-ring 12-pack.....	\$16.00	5218 Premium anodized SE lever & spool valve assembly.....	\$28.00



Reliable alternatives to OEM.

A-dec Style Premium Vacuum Valves

Cost-effective options from DCI, featuring a reversible lever for left- or right-hand operation.

Each valve purchased includes a cleaning brush and quick disconnect coupler—a \$37 value.

Short Body HVE Valve

5060 MSRP \$102
IN STOCK NOW \$94.00
5-PACK, ONLY \$84 EACH *Save \$90.* \$420.00

Extended HVE Valve

5061 MSRP \$111
IN STOCK NOW \$99.00
5-PACK, ONLY \$90 EACH *Save \$105.* \$450.00

Saliva Ejector Valve

No screens or rubber tip required

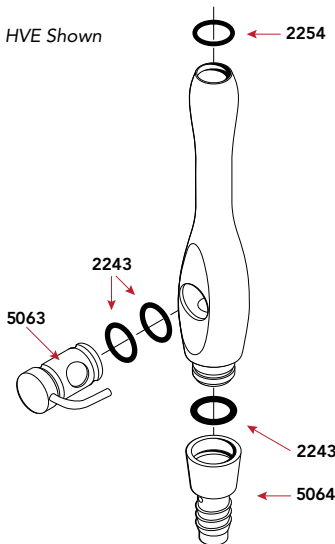
5062 MSRP \$102
IN STOCK NOW \$94.00
5-PACK, ONLY \$84 EACH *Save \$90.* \$420.00



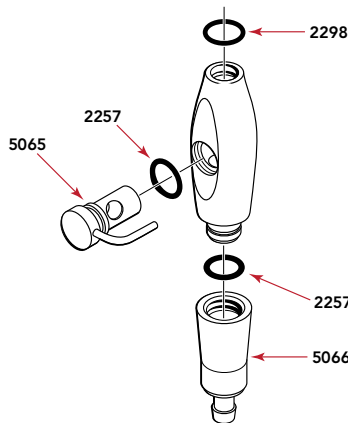
A-dec Style Autoclavable Vacuum Valve Parts

2243	O-ring 12-pack.....	\$16.00	5065	Lever/Spool with O-rings A-dec Style SE.....	\$27.00
2254	O-ring 12-pack.....	\$16.00	5066	Swivel with O-ring A-dec Style SE.....	\$19.00
2257	O-ring 12-pack.....	\$16.00	5620	HVE brush 5-pack.....	\$16.00
2298	O-ring 12-pack.....	\$29.00	5621	SE brush 5-pack.....	\$16.00
5063	Lever/Spool with O-rings A-dec Style HVE.....	\$27.00	5622	Surgical tip brush 5-pack.....	\$28.00
5064	Swivel with O-ring A-dec Style HVE.....	\$21.00	5623	Medium tip brush 5-pack.....	\$28.00

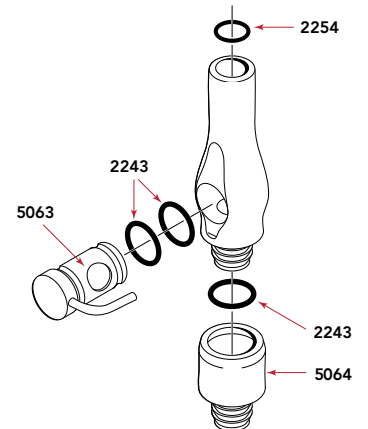
5061 HVE Shown



5062 SE Shown



5060 HVE Shown





**DCI Precision Comfort
2-Button 3-Way Syringe**

Indexing syringe tips on next page.

- Ergonomic finger rest
- 45% softer button action
- 30% increased angle
- 20% increased button size

3600 MSRP \$149
IN STOCK NOW **\$119.00**
4 OR MORE, EACH **\$109.00**



**DCI Precision Comfort
1-Button Syringe**

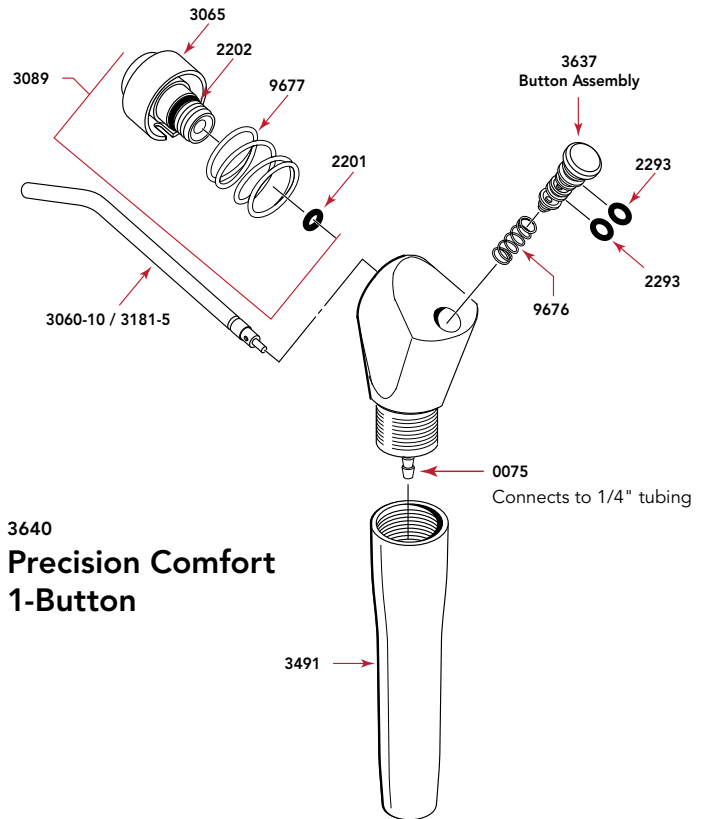
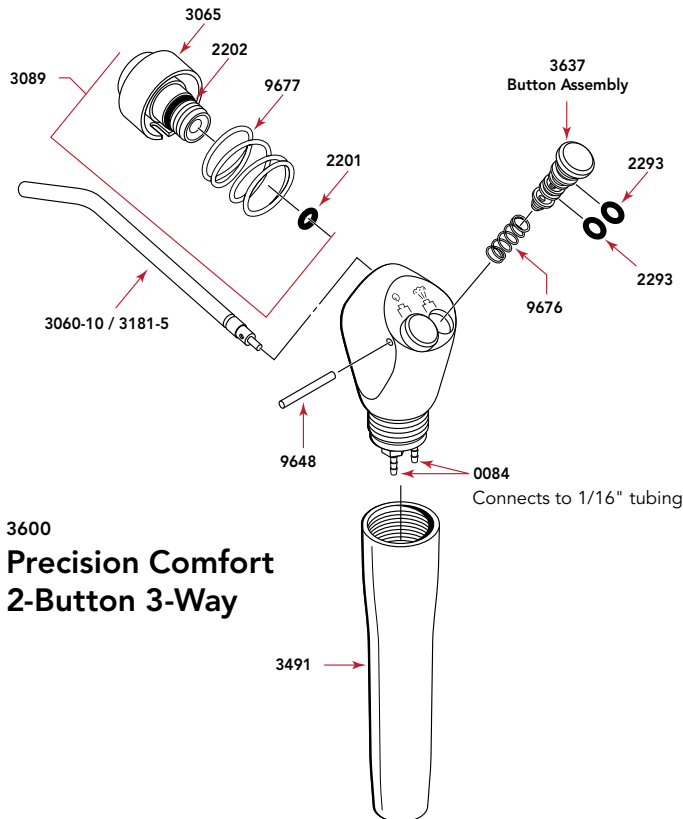
Indexing syringe tips on next page.

- Infinitely adjustable button control allows delivery of the exact amount of air or water desired
- Can be installed for dedicated water or air only

3640 MSRP \$149
IN STOCK NOW **\$119.00**
4 OR MORE, EACH **\$109.00**

Replacement DCI Syringe Parts

0075	Barb, 10-32 & washer 10-pack	\$8.00	3065	Tip adapter assembly	\$32.00	3637	Button with spring	\$16.00
0084	Barb, 8-32 & washer 10-pack	\$9.00	3060-10	Tip 10-pack	\$89.00	3631	Button repair kit	\$17.00
2201	O-ring 12-pack	\$16.00	3089	Quick-Change tip adapter kit	\$36.00	9648	Pin, Quick-Clean button	\$2.00
2202	O-ring 12-pack	\$16.00	3181-5	Indexing tip 5-pack	\$39.00	9676	Spring, button	\$1.25
2293	O-ring 12-pack	\$16.00	3491	Handle	\$15.00	9677	Spring, tip adapter	\$0.95



DCI Cartridge & Spring

3637 MSRP \$19
 • For models 3600 and 3640
IN STOCK NOW **\$16.00**



DCI Syringe Repair Kit

3066 MSRP \$19
 • For models 3430 and 3450
IN STOCK NOW **\$17.00**



Realize savings.

Take advantage of our exclusive multi-pack pricing on DCI and A-dec Style autoclavable syringe tips.



DCI Syringe Tips

Fits syringes 3370, 3379, 3411, 3430, 3450, 3480, 3600, 3640

10-PACK MSRP \$99

3060-10	10-pack, ONLY \$8.90 EACH	\$89.00
3060-20	20-pack, ONLY \$7.25 EACH	\$145.00
3060-30	30-pack, ONLY \$6.00 EACH	\$180.00

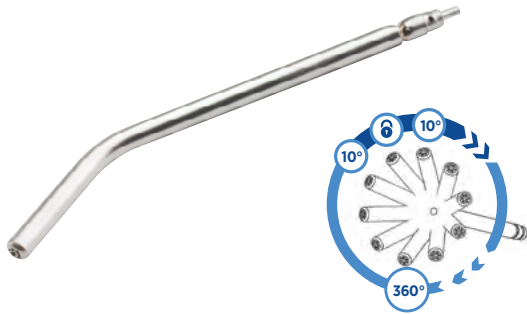


A-dec Style Syringe Tips by DCI

With alignment rings. Fits most A-dec models.

10-PACK MSRP \$99

3054-10	10-pack, ONLY \$8.90 EACH	\$89.00
3054-20	20-pack, ONLY \$7.25 EACH	\$145.00
3054-30	30-pack, ONLY \$6.00 EACH	\$180.00



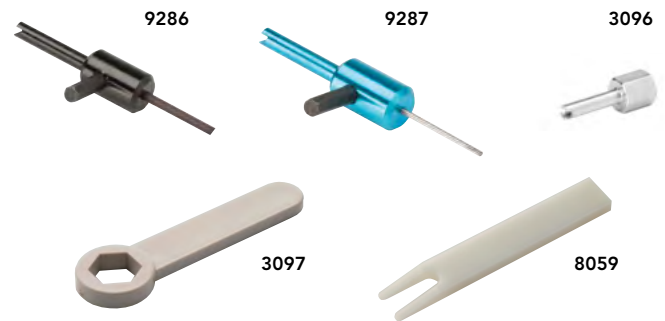
DCI Indexing Syringe Tips

Metal autoclavable tips rotate in 10° increments then lock into place for a total 360° of rotation.

- Fits syringes 3370, 3379, 3411, 3430, 3450, 3480, 3600, 3640
- Interchangeable in most common syringe heads
- Provides resistance to rotation in the DCI quick-change adapter to facilitate cheek retraction
- Patented design exclusive to DCI
- 5-pack

3181-5 MSRP \$59

IN STOCK NOW **\$39.00**



DCI Syringe Tools

Our best sellers, essential for every dental operator.

9286	For use with most A-dec syringes	\$21.00
9287	For use with most DCI quick tip style syringes	\$16.00
8059	Syringe button removal tool <i>Allows for gentle, scratch-free button removal from head of syringes</i>	\$19.00
3096	Valve core tool <i>Fits most brands of syringes with an internal bicycle-style valve core</i>	\$4.00
3097	Syringe nut tool <i>Fits most older model syringes with manual nut lock for syringe tips</i>	\$3.00

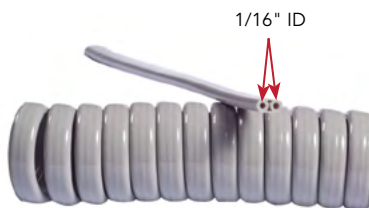
Aseptic 2-Hole Coiled Syringe Tubing

From Parts Warehouse

- T-1767 2-hole grey
- T-1768 2-hole black *Limited stock*

MSRP \$22 EACH

IN STOCK NOW, EACH **\$13.00**



Aseptic 2-Hole Straight Syringe Tubing

From Parts Warehouse

- Grey
- Also available in black, sterling, or sand by special order

T-1759-100RG MSRP \$2.95/FT

IN STOCK NOW, PER FOOT **\$1.30**



Access Pro KL/Rotamax Pro KL

Sable's teardrop head design makes for greater visibility, available in mini or torque head sizes with KaVo coupler compatibility.

- 2 year warranty on handpiece and ceramic turbine
- Stainless steel body with durable titanium finish
- Latest generation, German sourced fused optics with 25,000 LUX output
- Quadruple water spray for increased cooling efficiency
- Redesigned turbine and suspension for quieter operation and maximum longevity
- Push button cap redesigned to remove exhaust air more efficiently

New! Mix and match these models with the Rotamax 45KL featured on the next page.

2000021 Access Pro KL Mini head, 20 watts power @ 42 PSI

2000022 Rotamax Pro KL Torque head, 22 watts power @ 42 PSI

MSRP \$1,184 EACH

IN STOCK NOW, EACH **\$989.00**

3+1 PROMO, EACH *Save \$1,184* **\$888.00**



Real value.

Take advantage of our 3+1 promo for a total savings of \$1,184—and now you can combine the handpieces above with the Rotamax 45KL on the next page for even greater value. **We know savings.**

Sable NSK-Style and KaVo-Style Couplers

Featuring a 1 year warranty! Replacement gaskets and O-ring kits are available on page 6.



NSK-Style NL400

- 6-hole halogen coupler

2000107 MSRP \$230

IN STOCK NOW **\$210.00**

4+1 PROMO, EACH *Save \$230* **\$184.00**



NSK-Style NL400LED

- 6-hole LED coupler

2000108 MSRP \$348

IN STOCK NOW **\$299.00**

4+1 PROMO, EACH *Save \$350* **\$278.00**



KaVo MULTIflex-Style

- 4-hole halogen coupler

2000114 MSRP \$202

IN STOCK NOW **\$189.00**

4+1 PROMO, EACH *Save \$200* **\$162.00**



KaVo MULTIflex-Style

- 5-hole glass rod coupler

2000105 MSRP \$398

IN STOCK NOW **\$359.00**

4+1 PROMO, EACH *Save \$319* **\$319.00**



KaVo MULTIflex-Style

- 6-hole halogen coupler

2000116 MSRP \$282

IN STOCK NOW **\$270.00**

4+1 PROMO, EACH *Save \$280* **\$226.00**



KaVo MULTIflex-Style

- 6-hole LED coupler

2000119 MSRP \$348

IN STOCK NOW **\$332.00**

4+1 PROMO, EACH *Save \$350* **\$278.00**



Sable Rotamax 45° Surgical Handpieces

Sable's latest surgical high speeds feature a 45° angle head for perfect access and visibility. Available with your choice of KaVo MULTiflex style connection or a 4-hole fixed backend.



Features of both models

- KaVo MULTiflex-Style connection accommodates your existing KaVo-Style coupler and provides 360° swivel. Need a coupler? See page 14.
- Rear exhaust means no air jet into the operative site
- Torque head size offers maximum power for optimum cutting
- Durable titanium finish will stand up to years of use
- 45KL model fits to any KaVo-Style lubrication nozzle
- Lightweight and nicely balanced allowing for excellent ergonomic grip and reduces wrist fatigue
- 1 year warranty on handpiece and ceramic turbine

Mix and match the Rotamax 45KL with Access/Rotamax Pro KL featured on facing page and maximize your savings!

Rotamax 45KL Optic Handpiece

- Latest generation high output optic rod, triple port water spray
- Accepts any type of KaVo MULTiflex coupler
- Torque head, 20 watts power @ 42 PSI

2000023 MSRP \$1,184
IN STOCK NOW \$989.00
3+1 PROMO, EACH Save \$1,184 \$888.00

Rotamax 45 Non-Optic Handpiece

- Single port water spray, with fixed Midwest 4-hole backend
- No coupler needed, threads directly to any 4-, 5-hole, or 6-pin ISO tubing
- Torque head, 20 watts power @ 42 PSI

2000024 MSRP \$930
IN STOCK NOW \$785.00
3+1 PROMO, EACH Save \$930 \$697.00

Sable Access II and Rotamax II

Improved push button turbine in mini or torque head sizes. Unique 4-hole quick coupler allows for fast release.

- Conical head design for improved visibility
- Two head sizes: Mini model generates 16 watt/350,000 RPM @ 42 PSI or Torque model @ 18 watts/400,000 RPM @ 42 PSI
- Featuring Myonic bearings for greater cutting power and longevity
- New and improved exterior shell reduces finger fatigue by offering excellent easy-clean tactile grip
- One-piece body/head machined design, which means head cannot pop off like other brands
- Single port water spray offers ample coverage and cooling without compromising visibility
- 4-hole quick disconnect coupler allows fast handpiece changeover and swivel action
- 1 year warranty on handpiece and turbine

Mix and match, plus receive two free couplers.

- 2000003 Sable Access II Mini head, non-optic
- 2000004 Sable Rotamax II Torque head, non-optic

MSRP \$531 EACH

IN STOCK NOW, EACH (WITHOUT COUPLER) \$489.00

4+1 PROMO, EACH *Save \$748* \$425.00



Real savings.

Receive two free Access II/Rotamax II couplers with your 4+1 purchase of the above handpieces. **Even more reasons to shop Bowen.**

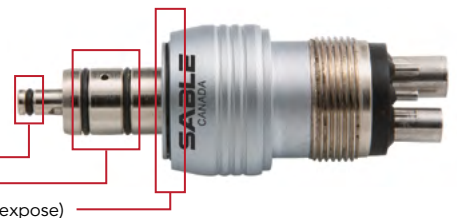


Sable Access II/Rotamax II Non-Optic Swivel Coupler

We always stock this popular coupler—order extra to make your operatory more efficient.

- 4-hole Midwest backend
- Quick disconnect

2000101 MSRP \$109
IN STOCK NOW \$95.00



Replacement O-ring Kit

You should swap the O-ring kits on your quick disconnect couplers every six months at minimum.

- Spare O-ring kit for 2000101 coupler
- Contains 2 large, 2 medium, and 1 small O-ring

2001217 MSRP \$39
IN STOCK NOW \$29.00
ORDER WITH COUPLER OR HANDPIECE \$21.00

Sable E-Type One-Piece, Non-Optic Series

Ergonomic and functional, this slow speed series is a true one-piece integrated design so that the head and body cannot separate. Slim taper of upper body style greatly improves visibility and intra-oral access. Exceptionally light weight means less wrist fatigue and greater overall comfort.



Mix and match any of the following five models to save \$357



Contra Angle, Push Button Latch Type

- Accepts all style latch-type burs Ø2.35 mm
- Ball bearing internal components
- 1:1 gear ratio
- 40,000 RPM max speed
- 1 year warranty

1600214 MSRP \$357
IN STOCK NOW \$309.00
3+1 PROMO, EACH \$268.00

Contra Angle, Push Button, Friction Grip Type

- Accepts all high speed burs Ø1.6 mm
- Ball bearing internal components
- 1:1 gear ratio
- 40,000 RPM max speed
- 1 year warranty

1600215 MSRP \$357
IN STOCK NOW \$309.00
3+1 PROMO, EACH \$268.00



Prophy Angle, Screw-Type

- Accepts all brands of screw-type prophy cups
- 4:1 gear reduction
- 5,000 RPM max speed
- 1 year warranty

1600216 MSRP \$357
IN STOCK NOW \$309.00
3+1 PROMO, EACH \$268.00

Prophy Angle, Snap-On

- Accepts all brands of snap-on prophy cups
- 4:1 gear reduction
- 5,000 RPM max speed
- 1 year warranty

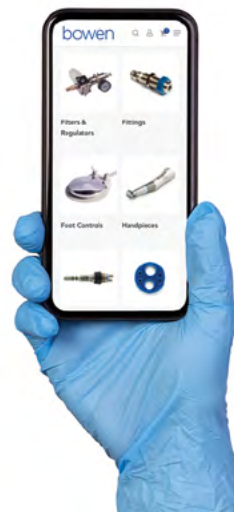
1600217 MSRP \$357
IN STOCK NOW \$309.00
3+1 PROMO, EACH \$268.00



Contra Angle, Push Button Latch Type

- Accepts all style latch-type burs Ø2.35 mm and/or latch-prophy cups
- Ball bearing internal components
- 4:1 gear reduction
- 5,000 RPM max speed
- 1 year warranty

1600218 MSRP \$357
IN STOCK NOW \$309.00
3+1 PROMO, EACH \$268.00



Shop our online store for hundreds of additional items.
bowenproducts.com

Sable E-Type Slow Speed Solutions

Create your own package with at least one Sable motor, sheath, head, and straight nose cone from these two pages and receive an instant upgrade to a 1 year manufacturer warranty on all components.



Air Motor, 20K RPM

- 85 grams
- Accepts all E-Type attachment brands
- 1 year warranty

1600110 MSRP \$454
IN STOCK NOW \$420.00
4+1 PROMO, EACH \$363.00



Air Motor, 5K RPM

- 110 grams
- Accepts all E-Type attachment brands
- 1 year warranty

1600102 MSRP \$670
IN STOCK NOW \$639.00
4+1 PROMO, EACH \$536.00



Contra Sheath, 1:1 Ratio

- 180 day warranty
- 1 year warranty as package

1600210 MSRP \$116
IN STOCK NOW \$109.00
4+1 PROMO, EACH \$93.00



Contra Sheath, 4:1 Reduction

- 180 day warranty
- 1 year warranty as package

1600202 MSRP \$247
IN STOCK NOW \$233.00
4+1 PROMO, EACH \$197.00

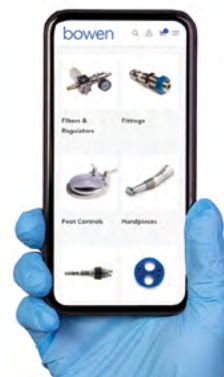


Contra Sheath, 16:1 Reduction

- 180 day warranty
- 1 year warranty as package

1600203 MSRP \$359
IN STOCK NOW \$309.00
4+1 PROMO, EACH \$287.00

Shop online for hundreds of additional items.
bowenproducts.com



Doctor's Package

Includes bushing swing latch head and nose cone, and upgraded 1 year warranty for all components listed.

- 1600110 20K E-Type Air Motor
- 1600310 Straight Nose Cone (1:1 ratio)
- 1600210 Contra Sheath (1:1 ratio)
- 1600403 Contra Latch Head (bushing style)

1600008 MSRP \$933
IN STOCK NOW, COMPLETE PACKAGE \$857.00



1600012

Hygienist Package

Includes 1600110 20K E-Type Air Motor, 1600202 Contra Sheath (4:1 reduction) and your choice of snap-on or screw-type prophy head.

- 1600011 Hygienist Package with 1600402 prophy head, snap-on
- 1600012 Hygienist Package with 1600401 prophy head, screw-type

MSRP \$770
IN STOCK NOW, EACH PACKAGE \$699.00



Contra Head, Swing Latch

- Heavy duty, ball bearing
- 90 day warranty
- 1 year warranty as package

1600407 MSRP \$152
IN STOCK NOW \$136.00
4+1 PROMO, EACH \$122.00



Contra Latch Head, Push Button

- Heavy duty, ball bearing
- 90 day warranty
- 1 year warranty as package

1600421 MSRP \$166
IN STOCK NOW \$143.00
4+1 PROMO, EACH \$133.00



Contra Latch Head, Bushing Style

- 90 day warranty
- 1 year warranty as package

1600403 MSRP \$77
IN STOCK NOW \$69.00
4+1 PROMO, EACH \$61.00



Prophy Head, Snap-On

- 90 day warranty
- 1 year warranty as package

1600401 MSRP \$77
IN STOCK NOW \$69.00
4+1 PROMO, EACH \$61.00



Prophy Head, Screw-Type

- 90 day warranty
- 1 year warranty as package

1600402 MSRP \$77
IN STOCK NOW \$69.00
4+1 PROMO, EACH \$61.00



U-Style Prophy Angles

- 1300103 5K RPM maximum, snap-on *Shown*
- 1300104 5K RPM maximum, screw-type

MSRP \$45 EACH
IN STOCK NOW, EACH \$39.00



Straight Nose Cone, 1:1 Ratio

- 180 day warranty
- 1 year warranty as package

1600310 MSRP \$286
IN STOCK NOW \$259.00
4+1 PROMO, EACH \$229.00



Straight Nose Cone, 4:1 Reduction

- 180 day warranty
- 1 year warranty as package

1600303 MSRP \$485
IN STOCK NOW \$415.00
4+1 PROMO, EACH \$388.00



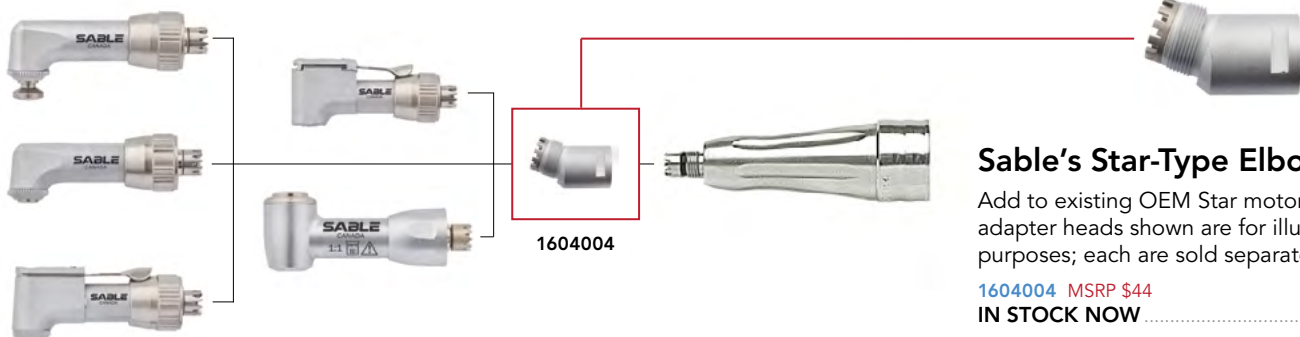
U-Style Contra Angle

- 5K RPM maximum
- Non-sectional

1300301 MSRP \$75
IN STOCK NOW \$61.00

Rediscover Star Slow Speeds.

Add this cost-effective elbow to any of the above 12-tooth heads and create your own Star Dental compatible contra or prophy head at a fraction of the cost of Star OEM heads.



Sable's Star-Type Elbow

Add to existing OEM Star motor-to-angle adapter heads shown are for illustrative purposes; each are sold separately.

1604004 MSRP \$44
IN STOCK NOW \$25.00

Sable's Premium Series

100% compatible with KaVo handpieces, at a fraction of the cost.



Sable's KaVo-Style Prophy Head, Screw-Type

- Snap-on button, add part 1604003
- Attach to Sable/KaVo contra sheaths
- 1:1 ratio
- Maximum 5,000 RPM
- 1 year warranty

1610820 MSRP \$281
IN STOCK NOW \$259.00
4+1 PROMO, EACH \$225.00

Sable's KaVo-Style Contra Head, Push Button

- Ball bearing internal components
- Attach to Sable/KaVo contra sheaths
- 1:1 ratio
- Maximum 40,000 RPM
- 1 year warranty

1610810 MSRP \$294
IN STOCK NOW \$265.00
4+1 PROMO, EACH \$235.00

Sable's KaVo-Style Contra Sheath, 1:1 Ratio

- Internal water and air lines
- Accepts KaVo/Sable heads in this section
- Connect to any ISO E-Type air/electric motors, with/without water capability
- Maximum 40,000 RPM
- 1 year warranty

1610210 MSRP \$300
IN STOCK NOW \$279.00
4+1 PROMO, EACH \$240.00



Sable's KaVo-Style Straight Nose Cone 1:1 Ratio, Ball Bearing

- Internal water and air lines
- Connect directly to any ISO E-Type air or electric motors, with or without water capability
- Maximum 40,000 RPM
- 1 year warranty

1610310 MSRP \$442
IN STOCK NOW \$409.00
4+1 PROMO, EACH \$354.00



Sable's KaVo-Style E-Type Air Motor, 20K RPM

- Internal water and air lines
- Accepts all styles of KaVo, W&H, NSK, and Sable KaVo-Style sheaths
- 4-hole connection
- Maximum 20,000 RPM at 35 PSI
- 1 year warranty

1610110 MSRP \$688
IN STOCK NOW \$659.00
4+1 PROMO, EACH \$550.00



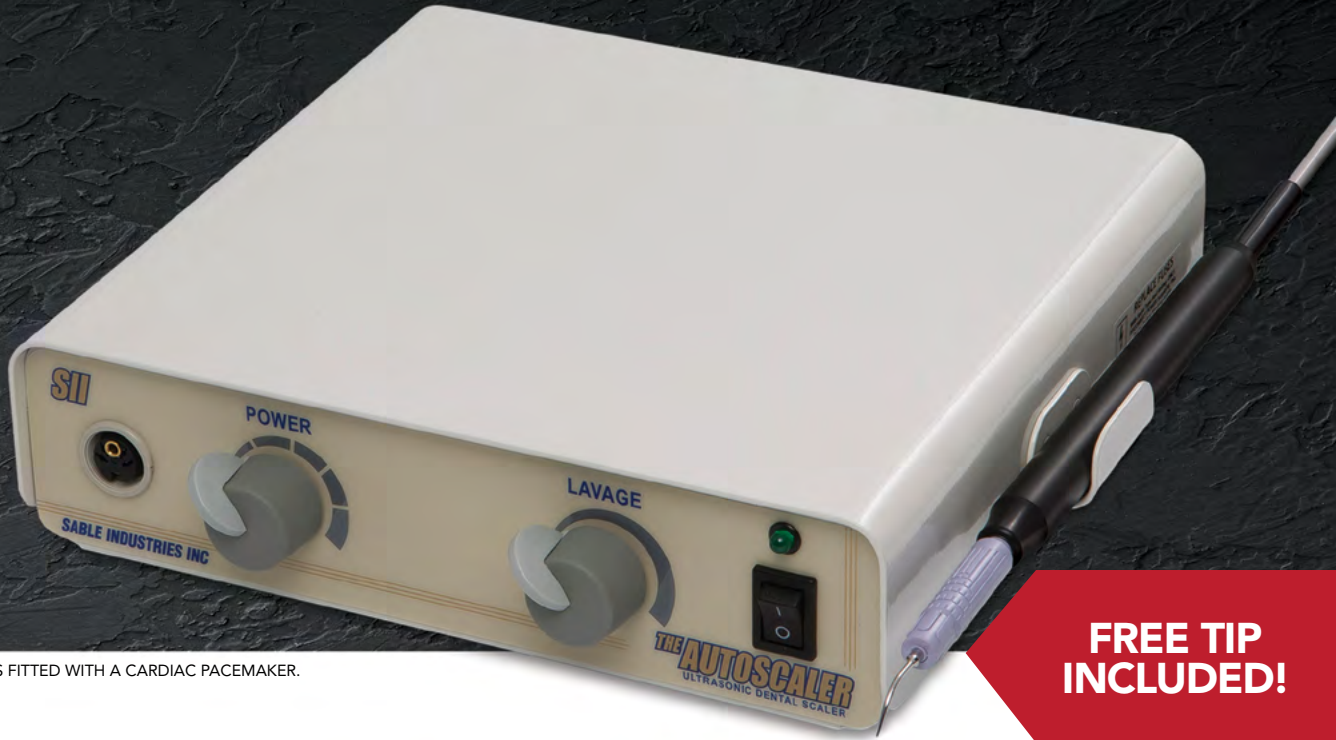
Sable's KaVo-Style Premium Slow Speed Doctor's Package

This slow speed doctor's package includes the components listed to the right plus a 1 year written warranty.

- 1610110 20K IS-205 E-Type air motor with internal water line
- 1610210 1:1 ratio E-Type contra sheath with internal water line
- 1610810 1:1 ratio contra head, push button
- 1610310 1:1 ratio E-Type straight nose cone with internal water line

1600010 MSRP \$1,605
IN STOCK NOW \$1,419.00

Think Autoscaler.



DO NOT USE ON PATIENTS FITTED WITH A CARDIAC PACEMAKER.

FREE TIP INCLUDED!

Why Choose Autoscaler?

Because for over 40 years, they have built and serviced the finest American-made ultrasonic dental scaler. It makes great business and professional sense to switch to Autoscaler. Here's why:



Autoscaler Costs Much Less

While Cavitron is a fine product, so is Autoscaler at less than half the cost. And Bowen has the best advertised price in Canada, guaranteed.



Best-In-Class Warranty

Autoscaler is time tested over 40 years and stands behind a 6 year warranty for circuit boards and 2 years for all other components.

Autoscaler: The Science of Dentistry

- Detachable handpiece assembly that attaches to the front left-hand side of the console—no more kinked tubing
- Precision automatic tuning
- Specifically designed to accept and function with leading manufacturers magnetostrictive insert tips (Hu-Friedy, Dentsply/Cavitron)
- Front control operated water pressure flow regulator for precise water pressure from 18cc to 30cc
- Compact size, measures 9"W x 8"D x 3"H
- 8' manual foot switch
- 8' detachable handpiece assembly
- 8' water tubing with 1/4" male quick disconnect adapter attached
- Best-in-class warranty of 6 years for circuits and 2 years for all other components, now includes handpiece assembly
- Instructions and online support at autoscaler.com

30K Autoscaler with FREE Tip

1900001 MSRP \$2,530
IN STOCK NOW, EACH Total savings \$614..... \$2,233.00

Replacement Ultrasonic Insert, 30K

• #10 Universal Streamline
 1900603 MSRP \$317
IN STOCK NOW \$289.00
ORDER WITH AUTOSCALER \$269.00

Bowen Products Limited

1b-30528 Great Northern Avenue, Abbotsford, B.C. V2T 6H4

VISIT bowenproducts.com

CALL 1-800-663-2541

EMAIL info@bowenproducts.com

FAX 1-800-665-4788

bowen **37** YEARS

Serving the Canadian Dental Profession Since 1987

Advertised specials effective April 1 to June 30, 2024 and are subject to change without notice. All prices in Canadian funds and unless otherwise stated are per single unit and are subject to change without notice. Bowen reserves the right to choose shipping carrier. © 2024 Bowen Products Limited. All rights reserved. No part of this publication may be reproduced by any means, electronic or mechanical, including the internet without the written permission of the publisher, and all registered trade names are property of their respective manufacturers and corporations. Sable Industries Inc. and Bowen Products Limited are in no way affiliated with these companies. All product images were current at time of printing but may change without notice. View our return policy at bowenproducts.com/shipping-returns. E & OE.