

Bowen Bulletin

Q2 2026

PRICE

ALL 2025 PRICING HELD OVER UNTIL JULY 2026!

FREEZE

*We're helping you stretch
your hard-earned dollar.*

39

1987 bowen 2026

ANOTHER BOWEN ADVANTAGE

Save \$40 on each handpiece repair

Include one \$40 discount coupon per handpiece! Send in your handpiece for repair and enjoy instant savings on each one. Don't miss out... quality repairs and big savings await!

Download at bowenproducts.com/coupon



We're a proud B.C. business serving Canadian dentists since 1987... that's 39 years!

Industry longevity

Our 39 years of serving the dental industry means we know a thing or two about handpiece sales and service. We're always available to help, so please give us a toll-free call at 1-800-663-2541... it's free, as is our advice!

Exceptional client care

We're told that we run circles around full-service dealers for phone and email response times. Repairs are typically completed the same day of your estimate approval, and are always shipped via the fastest and safest method possible.

Handpiece repair discount coupon

Our long-standing \$40 repair discount coupon is applicable toward most handpiece repairs and can be used multiple times. Available online, download yours at bowenproducts.com/coupon.

Free, no-obligation estimates

Available for all air-driven high and slow speed handpieces. A \$49 assessment fee will be applied to declined electric motor/handpiece systems.

Repair, warranty, and order history

From 2009 onward, our electronic system allows us to instantly retrieve all repairs, orders and tracking data via your unique Bowen profile. Need information on something older? It'll take us a few minutes, but is always at our fingertips.

Quality parts you can trust

We only use the highest-quality repair parts from fully licensed Health Canada vendors and manufacturers, including Sable Industries. All parts installed in your handpiece are Health Canada licensed and ISO certified. Plus, Bowen adheres to the latest stringent Health Canada MDEL protocols.

With ever-increasing costs these days, it makes great financial sense to have us evaluate your existing handpieces. We could save you hundreds of dollars—or even thousands!—by repairing versus replacing with new.

bowen
WE KNOW HANDPIECES

Bowen's High Speed Preventative Service

Schedule your handpiece repair pick-up online at bowenproducts.com or call us at 1-800-663-2541.

After our inspection of your high speed, we will deep clean the handpiece inside and out, perform a head ream to remove dents, and high-pressure flush the chip air and water lines to remove debris, ensuring 100% flow. Models with push button chucks are tested for proper bur retention and if discovered to be weak, we will advise prior to repairs.

All models receive a new turbine suspension kit, rear gasket where applicable, lubrication, thorough test for proper operation, and 30 day written warranty. Free, no-obligation estimates available.

PREVENTATIVE SERVICE STARTING FROM..... \$99

Sable High Speed Canister-Style Turbines

These cost-effective turbines by Sable are specifically made to fit NSK Pana Air, Pana Max, Pana 2000, Henry Schein C-Type, Patterson, Champion, and similar styles. **Call for other models!**



1001401	Mini head, push button 180 day warranty.....	\$259	1001496	Pana Max standard, push button 180 day warranty.....	\$259
1001402	Standard, push button 180 day warranty.....	\$259	1001301	Mini head, manual chuck 120 day warranty.....	\$199
1001403	Torque head, push button 180 day warranty.....	\$259	1001302	Standard, manual chuck 120 day warranty.....	\$199
1001409	Pana 2000 mini, push button 180 day warranty.....	\$259	1001303	Torque head, manual chuck 120 day warranty.....	\$199
1001410	Pana 2000 standard, push button 180 day warranty.....	\$259	1001304	Safco Super-Grade, manual chuck 120 day warranty.....	\$199

Slow Speed Preventative Service

Free no-obligation estimates are available for most repairs. For models not listed call 1-800-663-2541.*

We perform a full dismantle of your handpiece, a deep cleaning inside and out, replace all O-rings and minor parts as needed, grease or lube, re-assemble, adjust as needed, and thoroughly test for proper operation.

Sheaths, Nose Cones, Heads
A-dec, W&H, KaVo Contra Sheaths; NSK, Star, KaVo Straight Nose Cones; KaVo 68 F, G, GDN, LDN, LH Contra Heads; KaVo 31 GR, LR Prophy Heads
STARTING FROM..... \$159

Air-Driven Motors
A-dec, W&H; NSK EX-103/203/204, new generation; KaVo 181, 2307, 2313, 2320; Star 5K, 20K; Weber and related attachments
STARTING FROM..... \$229

Midwest Tru Torc I & II, Shorty Motors

We've tuned and overhauled many of these motors, so in most cases one-day turnaround is available. Remember, we've been restoring handpieces for 39 years. It's what we do.



Complete Overhaul

Includes 60 minutes of labour, the adjacent Tune-Up details, plus turbine bearings, spindle, drive and dry rings, rear tightening rod and bearing, all O-rings, chuck and chuck compressor, sheath lock collar assembly screws and miscellaneous parts, all adjustments and fine-tuning as needed, grease and lubrication, and a thorough test for proper operation. 180 day parts and labour written warranty.

SINGLE SPEED	Starting from.....	\$259
TWO SPEED	Starting from.....	\$299

Tune-Up

Includes 30 minutes of labour, full dismantle of motor, thorough deep cleaning of all existing components, new parts replaced limited to drive and/or dry rings, rear tightening rod (Tru Torc only), all O-rings, rear gasket, re-assembly, all adjustments and fine-tuning as needed, grease and lubrication, and a thorough test for proper operation. 30 day warranty.

SINGLE SPEED	\$169
TWO SPEED	\$189

*Not applicable for all electric motor/handpiece systems. A \$49 assessment fee will be applied to declined repair estimates.

Sable N-Style Turbines

Sable turbines are built to the highest standard and feature USA grade ABEC 7 angular contact steel and ceramic bearings. Prices include installation, full service of your handpiece, and 180–365 day parts and labour written warranties.



- 1002100 Ti-Max Z900L, Z900KL, Brasseler NLXK-T *Ceramic*
- 1002101 Ti-Max Z800L, Z800KL, Brasseler NLXK-S *Ceramic*

IN STOCK NOW, EACH \$389

- 1001497 Phatelus I Mini, Twist Free Mini, Alpha-Lite Mini, Viper
- 1001498 Phatelus I Standard, Twist Free, Alpha-Lite, Kinetic Viper
- 1001499 Phatelus I Torque, Twist Free, Alpha-Lite, Kinetic Viper

IN STOCK NOW, EACH \$289

- 1001404 Phatelus II Mini, CH-QD, NL-65
- 1001405 Phatelus II Standard, CH-QD, NL-65
- 1001406 Phatelus II Torque, CH-QD, NL-65
- 1001407 Vip-Air, Healthco Push & Swivel, NVA-SU03

IN STOCK NOW, EACH \$299

- 1000167 Ti-Max X500L, X500WL, NL9000M *Ceramic*
- 1000168 Ti-Max X600L, X600WL, NL9000S, NL4500, Surgical X450, Sabra Power 45 *Ceramic*
- 1000169 Ti-Max X700, NL9000T *Ceramic*
- 1001501 Mach-Lite XT Mini, Mach-Lite, Mach-QD, NL-75, NL-85
- 1001502 Mach-Lite XT Standard, Mach-Lite, Mach-QD, NL-75, NL-85
- 1001503 Mach-Lite XT Torque, Mach-Lite, Mach-QD, NL-75, NL-85
- 1001506 Ti-Max A500L Mini, NL-95M, AK500L
- 1001507 Ti-Max A600L Standard, NL-95S, AK600L
- 1001508 Ti-Max A700L Torque, NL-95T, AK700L
- 1001509 S-Max M500 Mini
- 1001510 S-Max M600 Standard

IN STOCK NOW, EACH \$309

**2025
PRICE
FREEZE**

VALID UNTIL
JULY 2026

Our 2025 turbine prices **still include** a full service of your handpiece with a deep cleaning inside and out, a high pressure flush of water/air lines/ports, polish of fiber optics, turbine installation, and a thorough test for correct operation.

A written warranty is included with every repair, including your handpiece make, model, and serial number, plus the warranty expiry date.



Impact Air 45 Surgical Handpiece Repair

Sable's superior turbine and cap kit is engineered to seamlessly fit into your Impact Air 45 surgical handpiece.

Includes turbine installation, full service and cleaning of handpiece, and a 180 day warranty—twice as long as the OEM warranty.

1001158 Push button kit (turbine and cap) *Ceramic*..... \$399



Sabra OMS 45/Power 45 Surgical Handpiece Repair

Prices include an OEM Sabra turbine, full service and cleaning of your handpiece, and a 180 day written warranty.

- ST-10 Replacement turbine *For OMS-45 Old-Style QD-J*..... \$399
- ST-11 Replacement turbine *For OMS-45-II, 45-FO, 105*..... \$399
- ST-20 Replacement turbine *For Power 45 Series*..... \$399

Sable Premium Turbines

Designed for most OEM models, all ceramic turbines listed below include a 365 day warranty and are built with European sourced Myonic bearings which meet or exceed ABEC 9/ISO P2 running tolerances for extremely quiet, reliable operation. All prices listed on this page include a full service of your handpiece, deep clean, high pressure flush of water/air line/ports, polish of fiber optics, turbine installation. All non-ceramic turbines include a 180 day warranty.



1000104	A-dec, W&H 895, 898, 195, 198 Topair	\$399	1000153	M-Style, Stylus 360S–541S Ceramic.....	\$399
1000105	A-dec, W&H 896, 196 Toplight.....	\$399	1000181	M-Style, Stylus 890 Standard Ceramic.....	\$399
1000124	A-dec, W&H Trend TC-95RM	\$399	1000182	M-Style, Stylus 990 Mini Ceramic.....	\$399
1000118	A-dec, W&H Synea TA-96 Ceramic.....	\$399	1000183	M-Style, Tradition Series lever type Ceramic.....	\$499
1000164	A-dec, W&H Synea TA-97/LED Ceramic.....	\$399	1000184	M-Style, Quiet Series lever type.....	\$499
1000119	A-dec, W&H Synea TA-98 Ceramic.....	\$399	25M0185	M-Style, Tradition Series manual chuck.....	\$389
1000172	A-dec, W&H Synea TA-98/LED Ceramic.....	\$399	25M0186	M-Style, Quiet Series manual chuck.....	\$389
1000137	KaVo 632, 633, 642, 645 Ceramic.....	\$399	1002102	M-Style, Tradition Series PLUS push button Ceramic.....	\$399
1000138	KaVo 630, 640 Ceramic.....	\$399	1002107	M-Style, Tradition Series PRO-TLF lever type Ceramic.....	\$399
1000139	KaVo 635B Ceramic.....	\$399	1002108	M-Style, Tradition Series PRO-TBF push button Ceramic.....	\$399
1000179	KaVo 636, 646 Ceramic.....	\$399	1002109	M-Style, S-Series PLUS/PHNX push button Ceramic.....	\$399
1000140	KaVo 647B, 649B Ceramic.....	\$399	1002113	M-Style, TRAD/PHNX push button Ceramic.....	\$399
1000171	KaVo 4500B, 4500BR, M4500L Ceramic.....	\$399	1001158	Palisades Impact Air Ceramic.....	\$359
1000117	KaVo 650B Ceramic.....	\$399	25M9901	Sable Access II Mini head.....	\$339
1000161	KaVo 6000B Ceramic.....	\$399	25M9903	Sable Rotamax II Torque head.....	\$339
1000178	KaVo 6500 Ceramic.....	\$399	2009910	Sable S600NL Ceramic.....	\$359
1000189	KaVo 6500BR Ceramic.....	\$399	2009911	Sable S700NL Ceramic.....	\$359
1000191	KaVo SMARTtorque S609C, S619L Standard, ceramic.....	\$399	2009912	Sable Access S4500KL Ceramic.....	\$379
1000192	KaVo SMARTtorque S605C, S615L Mini, ceramic.....	\$399	2009913	Sable Rotamax S6500KL Ceramic.....	\$379
1000194	KaVo EXPERTtorque E679L, E680L Ceramic.....	\$399	2009914	Sable Access Pro NL & KL Ceramic.....	\$399
1000197	KaVo EXPERTtorque E675L, E677L Mini, ceramic.....	\$399	2009915	Sable Rotamax Pro NL & KL Ceramic.....	\$399
1000198	KaVo MASTERtorque Lux M8700L Mini, ceramic.....	\$399	2009916	Sable Rotamax 45° Surgical Ceramic.....	\$399
1000199	KaVo MASTERtorque Lux M8900L Torque, ceramic.....	\$399	2009917	Sable Access K4 & K6 Canister Ceramic.....	\$269
1000127	MK DENT small head model Ceramic.....	\$399	2009918	Sable Rotamax K4 & K6 Canister Ceramic.....	\$269
25M0128	MK DENT large head model, triple spray.....	\$399	25M0106	Star 430/431 Requires lubrication.....	\$399
1000129	MK DENT large head model, single spray.....	\$399	1002112	Star 430 Torque Ceramic.....	\$399
1000110	M-Style, Tradition Series XGT push button.....	\$399	1000162	Star 430 Lube-free, ceramic.....	\$399
1000112	M-Style, Quiet Series push button Ceramic.....	\$399			

Why choose Bowen for your next repair?

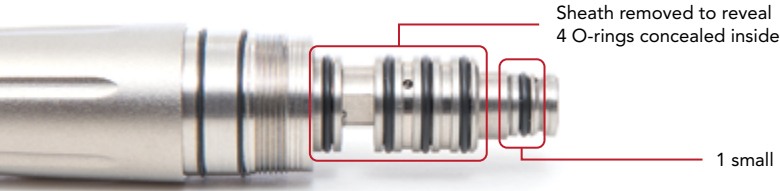
Because with more than 39 years of experience, it means we know a lot about handpiece service and repairs.

We are very, **very** efficient! Reducing your downtime is our #1 priority, so our response time for all phone and email inquiries means the repair process doesn't stall out due to confusing phone menus, auto-attendants, or non-responsive email accounts. We're here—live—five days a week, and always available.

We understand your time is valuable, so we do our best to keep things moving... even after hours, you'll be pleasantly surprised to receive a reply to your email. Typically, your air driven high or slow speed handpieces are completed the same day, or from the date of your estimate approval. **That's the Bowen advantage, and we're proud of it.**

Sable O-ring Kits

With repeated stresses of heat sterilization and wear and tear from regular use, replace your backend O-ring kits at least every 6 months.



For N-Style Back-End Handpieces

- Contains 1 small and 4 large O-rings
- Fits all NSK/Brasseler high speeds, Sable/NSK models, Sabra OMS 45 and Sabra Power 45 surgical handpieces

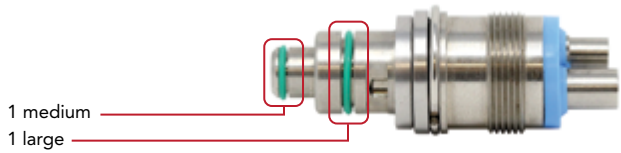
2001232 MSRP \$49
IN STOCK NOW \$39



Slow Speed Motor O-ring Kit

Set of 3 O-rings for most E-Type slow speed motors.

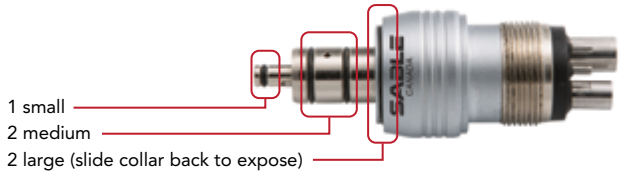
2001233 MSRP \$39
IN STOCK NOW \$29



For Star 430 SWL Coupler (Kit by HPP)

- Contains 2 sets of 1 medium and 1 large O-ring

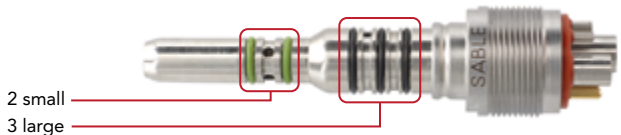
HPP HSV181 MSRP \$32
IN STOCK NOW \$25



For Sable Access/Rotamax II Coupler

- Contains 1 small, 2 medium and 2 large O-rings

2001217 MSRP \$39
IN STOCK NOW \$29



For KaVo Couplers

- Contains 2 small and 3 large O-rings

2001231 MSRP \$55
IN STOCK NOW \$45

Multi-Purpose 4-Hole Air Nozzle

With a stepped barb and included gasket, this cost-effective tool makes cleaning or flushing handpiece air/water lines easy. Simply connect to any handpiece tubing to instantly create an air nozzle.

P-1045 MSRP \$57
IN STOCK NOW \$49



Autoclavable Gaskets

Replace handpiece gaskets every 6 to 8 months—a simple routine that will save money and time.

ISO 6-Hole

P-1027-5 5-pack \$20
P-1027-25 25-pack \$93



4-Hole

P-1017-5 5-pack \$6
P-1017-25 25-pack \$25



M-Style 5-Hole

- For Midwest OEM Q-Tubing adapter

753342
WHILE STOCK LASTS! \$55



5-Hole

P-1018-5 5-pack \$7
P-1018-25 25-pack \$27



ANOTHER BOWEN ADVANTAGE

We make handpiece repairs easier for you with convenient online pick-up scheduling.



With ever-increasing costs—especially these days—it makes great financial sense to have us evaluate your existing handpieces. We could save you thousands of dollars by repairing versus replacing with new.

Visit bowenproducts.com/schedule-pickup/

Prefer the personal touch? Give us a call toll-free at **1-800-663-2541** and we'll take care of everything!

bowen
WE KNOW HANDPIECES

Sable Access/Rotamax K4 and Access/Rotamax K6

Introducing Sable's latest high speed series, available in non-optic and optic configurations, fully compatible with all KaVo couplers, lubrication nozzles and lube station adapters.



KAVO
Compatible



KAVO
Compatible

NEW! Sable K4 Non-Optic Series

- Available in Access mini model and Rotamax torque model head sizes
- Ceramic canister-style turbine design allows easy chairside replacement
- Quad port water spray for increased cooling efficiency
- 1 year warranty on handpiece and ceramic turbine

Mix and match for maximum savings!

2000028	K4 Access Mini head, 23W power @ 380-400K RPM @ 42 PSI	
2000029	K4 Rotamax Torque head, 26W power @ 355-430K RPM @ 42 PSI	
	MSRP \$584	
	IN STOCK NOW, EACH	\$529
	3+1 PROMO, EACH Save \$584	\$440

NEW! Sable K6 Optic Series

- Same features as above, but with latest generation German sourced fused optics with 25,000 LUX output

Mix and match for maximum savings!

2000030	K6 Access Mini head, 23W power @ 380-400K RPM @ 42 PSI	
2000031	K6 Rotamax Torque head, 26W power @ 355-430K RPM @ 42 PSI	
	MSRP \$828	
	IN STOCK NOW, EACH	\$759
	3+1 PROMO, EACH Save \$828	\$621

PRICE FREEZE

Pricing on most products held over from 2025—**stock up today and save!**

Sable Access Pro KL/Rotamax Pro KL

Sable's teardrop head design on both models makes for greater visibility, available in mini or torque head sizes with KaVo coupler compatibility.

- Stainless steel body with durable titanium finish
- Latest generation, German sourced fused optics with 25,000 LUX output
- Quadruple water spray for increased cooling efficiency
- Redesigned turbine and suspension for quieter operation and maximum longevity
- Push button cap redesigned to remove exhaust air more efficiently
- 2 year warranty on handpiece and ceramic turbine

Mix and match with the Rotamax 45KL on the next page for even greater value!

2000021	Access Pro KL Mini head, 20 watts power @ 375-400K @ 42 PSI	
2000022	Rotamax Pro KL Torque head, 22 watts power @ 325-350K @ 42 PSI	
	MSRP \$1,184	
	IN STOCK NOW, EACH	\$989
	3+1 PROMO, EACH Save \$1,184	\$888



KAVO
Compatible

Sable Rotamax 45° Surgical Handpieces

Sable's latest surgical high speeds feature a 45° angle head for perfect access and visibility.

- KaVo MULTiflex-Style connection accommodates your existing KaVo-Style coupler and provides 360° swivel
- Rear exhaust means no air jet into the operative site
- Torque head size offers maximum power for optimum cutting
- Durable titanium finish will stand up to years of use

- 45KL model fits to any KaVo-Style lubrication nozzle
- Lightweight and nicely balanced allowing for excellent ergonomic grip and reduces wrist fatigue
- 1 year warranty on handpiece and ceramic turbine



Rotamax 45KL Optic Handpiece

- Latest generation high output optic rod, triple port water spray
- Accepts any type of KaVo MULTiflex coupler
- Torque head, 20W power @ 400–450K @ 42 PSI

2000023 MSRP \$1,184
IN STOCK NOW \$989
3+1 PROMO, EACH *Save \$1,184* \$888

Rotamax 45 Non-Optic Handpiece

- Single port water spray, with fixed Midwest 4-hole backend
- No coupler needed, threads directly to any 4-, 5-hole, or 6-pin ISO tubing
- Torque head, 20W power @ 400–450K @ 32 PSI

2000024 MSRP \$930
IN STOCK NOW \$785
3+1 PROMO, EACH *Save \$930* \$697

Sable NSK-Style and KaVo-Style Couplers

3+1 coupler offer, plus you can now mix and match to customize your bundle!



KaVo MULTiflex-Style

- 5-hole glass rod coupler
- 1 year warranty

2000105 MSRP \$398
IN STOCK NOW \$359
3+1 PROMO, EACH *Save \$398* \$298



NSK-Style NL400LED

- 6-hole LED coupler
- 1 year warranty

2000108 MSRP \$348
IN STOCK NOW \$299
3+1 PROMO, EACH *Save \$348* \$261



KaVo MULTiflex-Style

- 4-hole halogen coupler
- 1 year warranty

2000114 MSRP \$202
IN STOCK NOW \$189
3+1 PROMO, EACH *Save \$202* \$152



KaVo MULTiflex-Style

- 6-hole halogen coupler
- 1 year warranty

2000116 MSRP \$282
IN STOCK NOW \$270
3+1 PROMO, EACH *Save \$280* \$212



KaVo MULTiflex-Style

- 6-hole LED coupler
- 1 year warranty

2000119 MSRP \$348
IN STOCK NOW \$332
3+1 PROMO, EACH *Save \$350* \$261



Sable KaVo-Type LED Handpiece Coupler Bulb

- For KaVo Lux couplers

1000850 MSRP \$75 Single bulb \$66
 1000851 MSRP \$219 3-pack \$195

Sable E-Type Slow Speed Solutions

Our top-selling Sable line, 100% compatible with NSK.



Mini Air Motor, 20K RPM

- 20K RPM @ 40–42 PSI
- 60 grams vs 85 grams (EX-203 style models)
- 79mm long vs 102mm (EX-203 style models)
- 1 year warranty

1600111 MSRP \$497

IN STOCK NOW \$405
3+1 PROMO, EACH *Save \$497* \$373



Air Motor, 20K RPM

- 20K RPM @ 40–42 PSI
- 85 grams
- Accepts all E-Type attachment brands
- 1 year warranty

1600110 MSRP \$476

IN STOCK NOW \$399
3+1 PROMO, EACH *Save \$476* \$357



Air Motor, 5K RPM

- 5K RPM @ 40–42 PSI
- 110 grams
- Accepts all E-Type attachment brands
- 1 year warranty

1600102 MSRP \$703

IN STOCK NOW \$599
3+1 PROMO, EACH *Save \$703* \$527



Contra Sheath, 1:1 Ratio

- 180 day warranty
- 1 year warranty as package

1600210 MSRP \$116

IN STOCK NOW \$109
4+1 PROMO, EACH *Save \$116* \$93



Contra Sheath, 4:1 Reduction

- 180 day warranty
- 1 year warranty as package

1600202 MSRP \$247

IN STOCK NOW \$233
4+1 PROMO, EACH *Save \$247* \$197

Create your own package with a Sable motor, sheath, head, and straight nose cone from these two pages and receive an instant upgrade to a **1 year manufacturer warranty** on all components.



Doctor's Package

Includes bushing swing latch head and nose cone, and upgraded 1 year warranty for all components listed.

- 1600110 20K E-Type Air Motor
- 1600310 Straight Nose Cone (1:1 ratio)
- 1600210 Contra Sheath (1:1 ratio)
- 1600403 Contra Latch Head (bushing style)

1600008 MSRP \$875

IN STOCK NOW, COMPLETE PACKAGE *Save \$126* \$749



1600012

Hygienist's Package

Includes 1600110 20K E-Type Air Motor, 1600202 Contra Sheath (4:1 reduction) and your choice of snap-on or screw-type prophylaxis head.

1600011 Hygienist Package with 1600402 prophylaxis head, snap-on

1600012 Hygienist Package with 1600401 prophylaxis head, screw-type

MSRP \$729

IN STOCK NOW, EACH PACKAGE *Save \$104* \$625

Sable E-Type Slow Speed Solutions

Our top-selling Sable line, 100% compatible with NSK.



Contra Head, Swing Latch

- Heavy duty, ball bearing
- 90 day warranty
- 1 year warranty as package

1600407 MSRP \$152
IN STOCK NOW \$136
4+1 PROMO, EACH *Save \$152* \$122



Contra Latch Head, Push Button

- Heavy duty, ball bearing
- 90 day warranty
- 1 year warranty as package

1600421 MSRP \$166
IN STOCK NOW \$143
4+1 PROMO, EACH *Save \$166* \$133



Contra Latch Head, Bushing Style

- 90 day warranty
- 1 year warranty as package

1600403 MSRP \$77
IN STOCK NOW \$69
4+1 PROMO, EACH *Save \$77* \$61



Propphy Head, Snap-On

- 90 day warranty
- 1 year warranty as package

1600401 MSRP \$77
IN STOCK NOW \$69
4+1 PROMO, EACH *Save \$77* \$61



Propphy Head, Screw-Type

- 90 day warranty
- 1 year warranty as package

1600402 MSRP \$77
IN STOCK NOW \$69
4+1 PROMO, EACH *Save \$77* \$61



U-Style Propphy Angles

- 1300103 5K RPM maximum, snap-on *Shown*
- 1300104 5K RPM maximum, screw-type

MSRP \$45
IN STOCK NOW, EACH \$39



Straight Nose Cone, 1:1 Ratio

- 180 day warranty
- 1 year warranty as package

1600310 MSRP \$286
IN STOCK NOW \$259
4+1 PROMO, EACH *Save \$286* \$229



Straight Nose Cone, 4:1 Reduction

- 180 day warranty
- 1 year warranty as package

1600303 MSRP \$485
IN STOCK NOW \$415
4+1 PROMO, EACH *Save \$485* \$388



U-Style Contra Angle

- 5K RPM maximum
- Non-sectional

1300301 MSRP \$75
IN STOCK NOW \$61



NEW! Access Propphy, 4:1 Reduction

- 4:1 reduction nose cone
- Friction grip
- Accepts disposable & metal propphy angles
- 180 day warranty

1600305 MSRP \$336
IN STOCK NOW \$294
4+1 PROMO, EACH *Save \$336* \$269



NEW! Access Propphy Mini Package

Includes 1600305 4:1 Reduction Nose Cone and 1600111 Mini Air Motor, 20K RPM.

- 1 year warranty as package

1600027 MSRP \$785
IN STOCK NOW, PACKAGE \$699
4+1 PROMO, EACH *Save \$785* \$627

Sable E-Type One-Piece, Non-Optic Series

Ergonomic and functional, this slow speed series is a true one-piece integrated design so that the head and body cannot separate. Slim taper of upper body style greatly improves visibility and intra-oral access. Exceptionally light weight means less wrist fatigue and greater overall comfort.

Mix and match any of the following five models to save \$368!



NSK Compatible KAVO Compatible W&H Compatible



NSK Compatible KAVO Compatible W&H Compatible

Contra Angle, Push Button Latch Type

- Accepts all style latch-type burs Ø2.35 mm
- Ball bearing internal components
- 1:1 gear ratio
- 40,000 RPM max speed
- 1 year warranty

1600214 MSRP \$368
IN STOCK NOW \$319
3+1 PROMO, EACH *Save \$368* \$276

Contra Angle, Push Button, Friction Grip Type

- Accepts all high speed burs Ø1.6 mm
- Ball bearing internal components
- 1:1 gear ratio
- 40,000 RPM max speed
- 1 year warranty

1600215 MSRP \$368
IN STOCK NOW \$319
3+1 PROMO, EACH *Save \$368* \$276



NSK Compatible KAVO Compatible W&H Compatible



NSK Compatible KAVO Compatible W&H Compatible

Prophy Angle, Screw-Type

- Accepts all brands of screw-type prophy cups
- 4:1 gear reduction
- 5,000 RPM max speed
- 1 year warranty

1600216 MSRP \$368
IN STOCK NOW \$319
3+1 PROMO, EACH *Save \$368* \$276

Prophy Angle, Snap-On

- Accepts all brands of snap-on prophy cups
- 4:1 gear reduction
- 5,000 RPM max speed
- 1 year warranty

1600217 MSRP \$368
IN STOCK NOW \$319
3+1 PROMO, EACH *Save \$368* \$276



This publication was proudly printed by **MTS Logistics**.

- Business Cards, Envelopes, Letterhead
- Referral or RX Pads
- Rack Cards & Postcards
- Flyers & Brochures
- Greeting Cards
- Calendars & Catalogues
- Specialty Finishing

Visit mtslogistics.com
Call 1-888-689-4333



NSK Compatible KAVO Compatible W&H Compatible

Contra Angle, Push Button Latch Type

- Accepts all style latch-type burs Ø2.35 mm and/or latch-prophy cups
- Ball bearing internal components
- 4:1 gear reduction
- 5,000 RPM max speed
- 1 year warranty

1600218 MSRP \$368
IN STOCK NOW \$319
3+1 PROMO, EACH *Save \$368* \$276

Sable Premium Series

100% compatible with KaVo handpieces, at a fraction of the cost.



KaVo-Style Prophy Head, Screw-Type

- Snap-on button, add part 1604003
- Attach to Sable/KaVo contra sheaths
- 1:1 ratio
- Maximum 5,000 RPM
- 1 year warranty

1610820 MSRP \$281
IN STOCK NOW \$259
4+1 PROMO, EACH *Save \$281* \$225



KaVo-Style Contra Head, Push Button

- Ball bearing internal components
- Attach to Sable/KaVo contra sheaths
- 1:1 ratio
- Maximum 40,000 RPM
- 1 year warranty

1610810 MSRP \$294
IN STOCK NOW \$265
4+1 PROMO, EACH *Save \$294* \$235



KaVo-Style Contra Sheath, 1:1 Ratio

- Internal water and air lines
- Accepts KaVo/Sable heads in this section
- Connect to any ISO E-Type air/electric motors, with/without water capability
- Maximum 40,000 RPM
- 1 year warranty

1610210 MSRP \$300
IN STOCK NOW \$279
4+1 PROMO, EACH *Save \$300* \$240



KaVo-Style Straight Nose Cone 1:1 Ratio, Ball Bearing

- Internal water and air lines
- Connect directly to any ISO E-Type air or electric motors, with or without water capability
- Maximum 40,000 RPM
- 1 year warranty

1610310 MSRP \$442
IN STOCK NOW \$409
4+1 PROMO, EACH *Save \$442* \$354




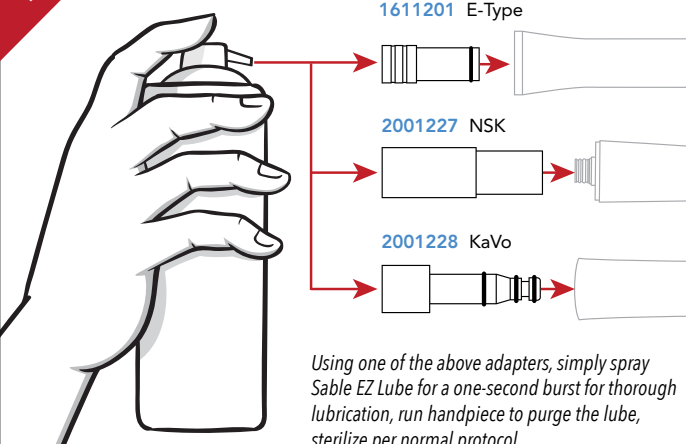
KaVo-Style E-Type Air Motor, 20K RPM

- Internal water and air lines
- Accepts all styles of KaVo, W&H, NSK, and Sable KaVo-Style sheaths
- 4-hole connection
- Maximum 20,000 RPM at 35 PSI
- 1 year warranty

1610110 MSRP \$688
IN STOCK NOW \$629
3+1 PROMO, EACH *Save \$688* \$516

Last page has full details





Using one of the above adapters, simply spray Sable EZ Lube for a one-second burst for thorough lubrication, run handpiece to purge the lube, sterilize per normal protocol.

Sable EZ Lube Spray, 500 ml can
 2200103 MSRP \$55
IN STOCK NOW \$49

Automated Handpiece Lubricating Machine Refill, 500 ml bottle
 2200104 MSRP \$63
IN STOCK NOW \$55

Dropper Bottle, 60 ml with applicator
 2200105 MSRP \$26
IN STOCK NOW \$21

Replacement Nozzles

1611201	Lubrication Nozzle for E-Type attachment	\$17
2001227	Lubrication Nozzle for NSK High Speed	\$14
2001228	Lubrication Nozzle for KaVo High Speed	\$21

Conventional
snap-on
rubber tip



DCI Economy Saliva Ejector Valve, Snap-on Tip

Includes a cleaning brush and coupler with each valve purchased—a \$30 value.

- Triple anodized aluminum, no screens required, fully autoclavable
- Snap-on tip

5660 MSRP \$60
IN STOCK NOW \$50
5-PACK, ONLY \$38 EACH *Save \$140* \$190

SE body has threaded
end, rubber tip has
internal brass threads



DCI Economy Saliva Ejector Valve, Threaded Tip

Includes a cleaning brush and coupler with each valve purchased—a \$30 value.

- Threaded tip means no more accidental tip pop-offs
- Fully autoclavable, including threaded tip

5650 MSRP \$71
IN STOCK NOW \$61
5-PACK, ONLY \$49 EACH *Save \$140* \$245



Anti-retraction
built in

DCI Economy Saliva Ejector Valve

Includes cleaning brush and anti-retraction coupler with each valve purchased—a \$54 value.

- With 360° quick disconnect anti-retraction coupler
- Prevents patient from overcoming low volume vacuum through saliva ejector tip; blocks reverse flow through valve
- Fully autoclavable, including snap-on tip

5664 MSRP \$90
IN STOCK NOW \$79
5-PACK, ONLY \$68 EACH *Save \$164* \$340



DCI Economy HVE Vacuum Valves

Each model includes a quick disconnect coupler and cleaning brush, a \$34 value. Mix and match to save!

- One piece autoclavable body
- Your choice of extended or short body models

5150 Extended HVE vacuum valve
5148 Short body HVE vacuum valve
MSRP \$75 EACH
IN STOCK NOW \$59
5-PACK, ONLY \$49 EACH *Save \$164* \$245

Super PW-Lube

Perfect for all HVE, SE,
and 3-way syringe O-rings!

- Moisture resistant
- Silicone base lubricant
- For synthetic and rubber O-rings
- 2 oz tube



P-1800 MSRP \$48
PRICE LIMITED TO STOCK ON-HAND—DON'T DELAY! \$38

SE Anti-Retraction Check Valve

- Converts any SE tubing to anti-retraction
- Prevents back-flow
- Easy to install barbed ends
- Long lasting plastic
- Non-restricting

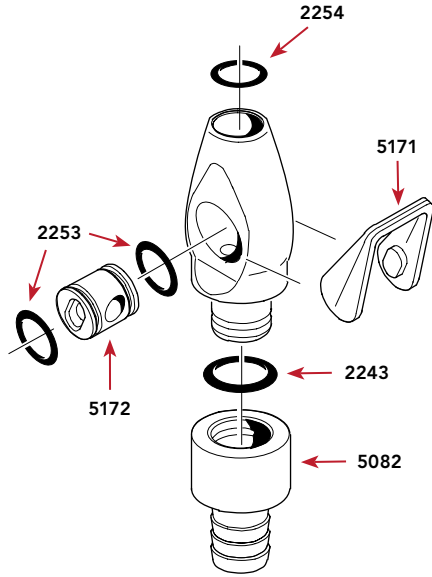


V-1846 MSRP \$21
IN STOCK NOW \$11
10 OR MORE, EACH \$8

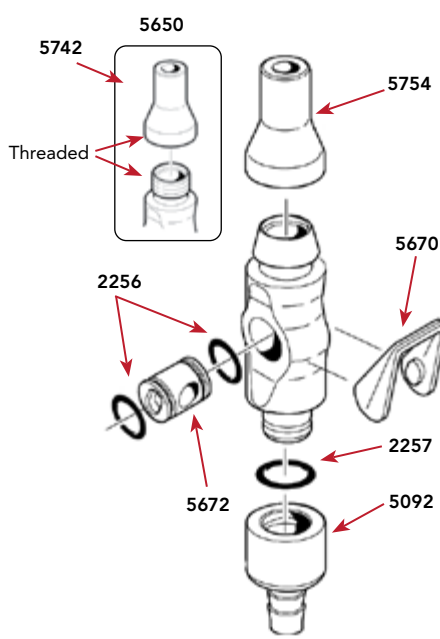
Restore your vacuum.

These autoclavable DCI replacement parts can help make your vacuum operate like new again. Looking for a different DCI component breakdown? Call 1-800-663-2541 and we'll provide it for you.

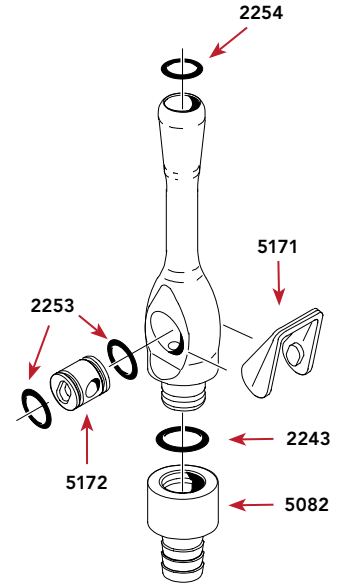
5148 HVE Shown



5660 SE Shown



5150 HVE Shown



2243	O-ring 12-pack.....	\$16	5185	Anodized SE swivel, anti-retraction <i>Not shown</i>	\$38
2253	O-ring 12-pack.....	\$16	5620	HVE brush 5-pack.....	\$16
2254	O-ring 12-pack.....	\$16	5621	SE brush 5-pack.....	\$16
2256	O-ring 12-pack.....	\$16	5622	Surgical tip brush 5-pack.....	\$28
2257	O-ring 12-pack.....	\$16	5623	Medium tip brush 5-pack.....	\$28
5082	Anodized swivel with O-ring <i>HVE</i>	\$18	5670	SE lever 10-pack.....	\$65
5092	Anodized swivel with O-ring <i>SE</i>	\$14	5672	Valve spool with O-rings.....	\$9
5171	HVE lever 10-pack.....	\$75	5742	SE tip, screw-on.....	\$24
5172	Valve spool with O-rings.....	\$10	5754	SE tip, snap-on 10-pack.....	\$45

Pricing on all products held over from 2025—**stock up and save!**



SE Threaded Spare Tip

- Fits 5088, 5650
- Sold individually, latex-free

5742 MSRP \$36
IN STOCK NOW \$24



SE Snap-On Spare Tip

- Fits 5090, 5655, 5660, 5664
- 10-pack, latex-free

5754 MSRP \$48
IN STOCK NOW \$45



SE Spare Lever

- Fits 5650, 5660, 5664
- 10-pack, autoclavable

5670 MSRP \$78
IN STOCK NOW \$65



HVE Spare Lever

- Fits 5148, 5150, 5200
- 10-pack, autoclavable

5171 MSRP \$95
IN STOCK NOW \$75

DCI Precision Comfort Series

Includes cleaning brush and coupler with each valve purchased—a \$35 value.

Contemporary design features larger, ergonomic levers—reversible for left- or right-hand operation—for smoother activation while wearing gloves, a 360° quick disconnect coupler, fully autoclavable vacuum bodies, and a 1 year warranty.

Precision Comfort Saliva Ejector Valve

- No rubber tip or screens required
- Includes 360° quick disconnect coupler and cleaning brush

5222 MSRP \$85
IN STOCK NOW \$70
5-PACK, ONLY \$60 EACH *Save \$125* \$300

Precision Comfort Extended HVE Valve

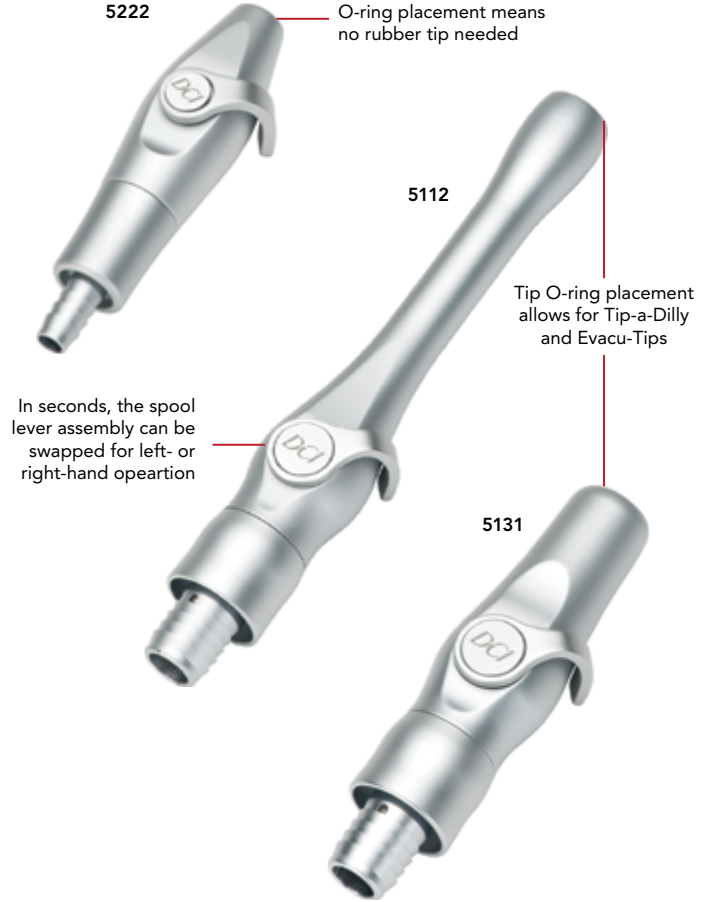
- Includes 360° quick disconnect coupler with integrated debris prevention guard and cleaning brush

5112 MSRP \$89
IN STOCK NOW \$73
5-PACK, ONLY \$62 EACH *Save \$135* \$310

Precision Comfort Short Body HVE Valve

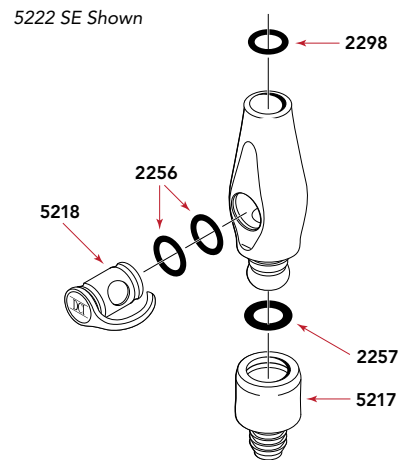
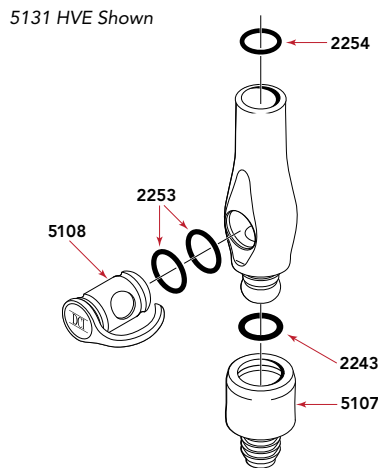
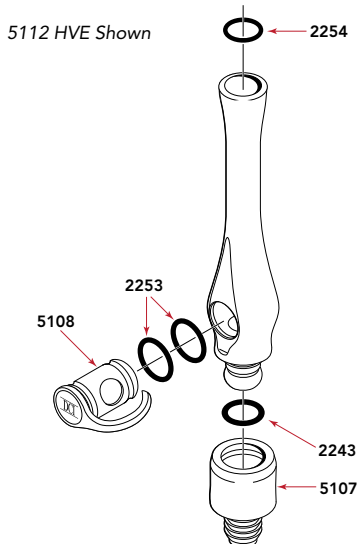
- Includes 360° quick disconnect coupler with integrated debris prevention guard and cleaning brush

5131 MSRP \$89
IN STOCK NOW \$73
5-PACK, ONLY \$62 EACH *Save \$135* \$310



Precision Comfort Autoclavable Vacuum Valve Parts

2243 O-ring 12-pack.....	\$16	2298 O-ring 12-pack.....	\$29
2253 O-ring 12-pack.....	\$16	5107 Premium anodized swivel for 1/2" tubing.....	\$19
2254 O-ring 12-pack.....	\$16	5217 Premium anodized swivel for 3/16" tubing.....	\$19
2256 O-ring 12-pack.....	\$16	5108 Premium anodized HVE lever & spool valve assembly.....	\$28
2257 O-ring 12-pack.....	\$16	5218 Premium anodized SE lever & spool valve assembly.....	\$28



Reliable alternatives to OEM.

A-dec Style Premium Vacuum Valves

Cost-effective options from DCI, featuring a reversible lever for left- or right-hand operation.

Each valve purchased includes a cleaning brush and quick disconnect coupler—a \$37 value.

Short Body HVE Valve

5060 MSRP \$102
IN STOCK NOW \$94
5-PACK, ONLY \$84 EACH *Save \$90.* **\$420**

Extended HVE Valve

5061 MSRP \$111
IN STOCK NOW \$99
5-PACK, ONLY \$90 EACH *Save \$105.* **\$450**

Saliva Ejector Valve

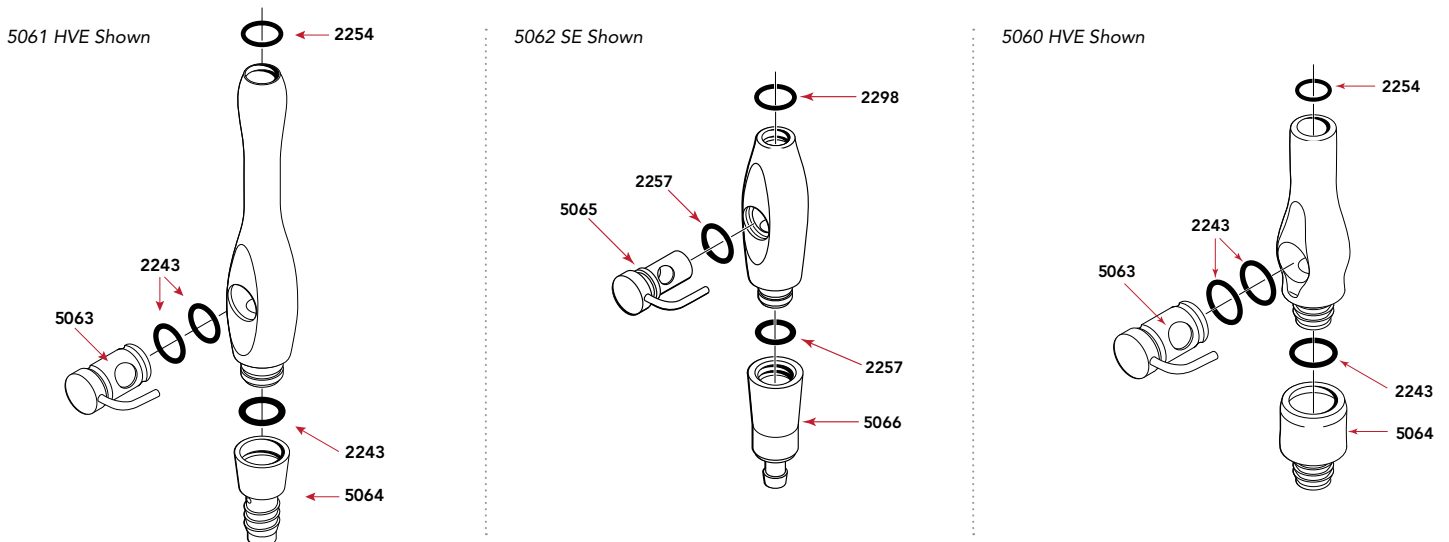
No screens or rubber tip required

5062 MSRP \$102
IN STOCK NOW \$94
5-PACK, ONLY \$84 EACH *Save \$90.* **\$420**



A-dec Style Autoclavable Vacuum Valve Parts

2243 O-ring 12-pack.....	\$16	5065 Lever/Spool with O-rings A-dec Style SE.....	\$27
2254 O-ring 12-pack.....	\$16	5066 Swivel with O-ring A-dec Style SE.....	\$19
2257 O-ring 12-pack.....	\$16	5620 HVE brush 5-pack.....	\$16
2298 O-ring 12-pack.....	\$29	5621 SE brush 5-pack.....	\$16
5063 Lever/Spool with O-rings A-dec Style HVE.....	\$27	5622 Surgical tip brush 5-pack.....	\$28
5064 Swivel with O-ring A-dec Style HVE.....	\$21	5623 Medium tip brush 5-pack.....	\$28



Trap-It Vacuum Puck

This revolutionary product takes all the mess and fuss out of changing vacuum traps.

The Trap-It vacuum puck is a self-contained evacuation trap designed to promote simplified and sanitary waste disposal. A specially incorporated lid system means no more messy and unsanitary removal of the vacuum trap; all waste is trapped inside the screen.

Regular use of Trap-It helps avoid bio-burden overflow and the resulting difficulty of removing traps. Eliminate the most disliked chore in your office while simultaneously maintaining maximum vacuum efficiency.



- S-1398** 144-pack—fits Belmont, Biotec, Dentech, Forest, Proma and other 1-7/8" traps
 - S-1406** 144-pack—fits A-dec plastic traps and other 2-1/8" traps
- MSRP \$159
IN STOCK NOW, EACH 144-PACK *Save \$49* \$110

Vacuum Canisters

Added value! A Trap-It vacuum puck is now included with each vacuum canister.

Mix and match all styles below and order 6 or more to save \$144!



2-1/8" Vacuum Canister

- Twist-lock safety lid
- 2 HVE ports, 1 SE port
- Includes plugs and base mounting inserts

- S-1385** Bottom ported
 - S-1386** Side ported
- MSRP \$51
IN STOCK NOW, EACH \$35
6 OR MORE, EACH \$27

1-7/8" Vacuum Canister

- O-ring sealed lid
- Multiple mounting configurations
- 2 HVE ports, 1 SE port
- Includes plugs and mounting brackets

- S-1395** MSRP \$51
- IN STOCK NOW \$35**
- 6 OR MORE, EACH \$27**

1-7/8" Vacuum Canister

- Twist-lock safety lid
- Multiple mounting configurations
- 2 HVE ports, 1 SE port
- Includes plugs and mounting brackets

- S-1394** MSRP \$51
- IN STOCK NOW \$35**
- 6 OR MORE, EACH \$27**

Super PW-Lube

Perfect for all HVE, SE, and 3-way syringe O-rings!

- Moisture resistant
- Silicone base lubricant
- For synthetic and rubber O-rings
- 2 oz tube

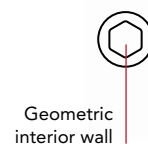
- P-1800** MSRP \$48
- PRICE LIMITED TO STOCK ON-HAND—DON'T DELAY! \$38**



Geometric Extrusion HVE Vacuum Tubing

- Sold in 25' rolls only
- 100% smooth exterior
- Soft and pliable
- 1/2" ID grey

- T-1796-G** MSRP \$195
- IN STOCK NOW, PER ROLL *Save \$56* \$139**



Bio-Pure Evacuation System Cleaner

Bio-Pure is an all-natural microbial-based cleaning product and uses living organisms to effectively clean your system 24/7—1 microbe becomes 10 million in just 24 hours! Bio-Pure eliminates 100% biofilm plaque, prophy paste, and organic debris.

- All natural, non-foaming, and 100% eco-friendly
- The right microbes and enzymes together for clean vacuum lines
- Compatible and best choice for all brands of amalgam separators
- Costs 40% less than other brands
- For eVac maintenance or between patient flush
- Meets new EPA 6–8 pH guidelines
- Eliminates manual daily trap cleaning
- Easy to use—just mix with water and go!



Scan the QR Code and watch a fun video to discover how Bio-Pure keeps your dental operator running efficiently!



**BEST CANADIAN
PRICE GUARANTEE
PLUS RECEIVE A
FREE
HVE-SE DISPENSER!**

Step 1: Starter Kit

Bio-Pure "Restore" Complete Evacuation System Restorative

- 6-ounce container—that's 67 treatments
- Includes HVE-SE Dispenser valued at \$48 plus a \$25 rebate coupon to be used towards your next order

2801101 MSRP \$140
IN STOCK NOW *Save \$101* \$112

Step 2: Maintenance Kit

Bio-Pure "Complete" Evacuation System Cleaner

- 48-ounce container—that's 533 treatments
- Includes HVE-SE Dispenser valued at \$48

2801003 MSRP \$535
IN STOCK NOW *Save \$108* \$475



Foot Control Repair Parts



F-1201	MSRP \$14	Repair kit, main valve <i>Does not include dome</i>	\$9
F-1241	MSRP \$46	Repair kit, main valve <i>Includes dome</i>	\$39
F-1229	MSRP \$14	Repair kit, toggle valve.....	\$9
O-2008	MSRP \$9	Cartridge O-ring, 10-pack.....	\$6
O-2012	MSRP \$9	Valve base O-ring seal, 10-pack.....	\$6

Toggle Assembly

- Assembled, ready to use
- Fits all shrouded foot controls on this page

F-1231	MSRP \$35		
IN STOCK NOW	<i>Save \$10</i>		\$25



2-Way Button Assembly

- Assembled, ready to use
- Fits all shrouded foot controls on this page

F-1232	MSRP \$39		
IN STOCK NOW	<i>Save \$10</i>		\$29



Aseptic 4-Hole Foot Control Tubing

MSRP \$5/FT			
T-1750-G	Grey.....		\$3/ft
T-1750-SD	Sand <i>Special order</i>		\$3/ft
T-1750-ST	Sterling <i>Special order</i>		\$3/ft



Aseptic 2-Hole Foot Control Tubing

• Grey formable vinyl			
T-1752-100BG	MSRP \$4/FT		
IN STOCK NOW		\$2/ft



Standard Foot Control

- Precision-touch disc foot control
- Weighted for maximum stability

F-1200	MSRP \$99	Foot control, standard.....	\$89
F-1241	MSRP \$46	Main valve repair kit <i>Full kit, includes dome</i>	\$39



Standard Shrouded Foot Control

- Precision-touch disc foot control
- Large, stable base with shroud

F-1220	MSRP \$130	Standard shrouded <i>Shown</i>	\$105
F-1220R	MSRP \$170	Standard shrouded with relay, A-dec style.....	\$145
F-1241	MSRP \$46	Main valve repair kit <i>Full kit, includes dome</i>	\$39



Chip Button Foot Control

- Precision-touch disc foot control with chip button

F-1205	MSRP \$185	Foot control, chip button <i>Shown</i>	\$145
F-1205R	MSRP \$224	Chip button with relay, A-dec style.....	\$178
F-1241	MSRP \$46	Main valve repair kit <i>Full kit, includes dome</i>	\$39



Wet-Dry, Chip Button Foot Control

- Precision-touch disc foot control with wet-dry toggle and chip button

F-1215	MSRP \$240	Foot control, wet-dry/chip button <i>Shown</i>	\$180
F-1215R	MSRP \$270	Wet-dry chip button with relay, A-dec style.....	\$218
F-1229	MSRP \$14	Toggle repair kit.....	\$9
V-1550	MSRP \$5	Replacement toggle.....	\$3
V-1518	MSRP \$35	Relay valve.....	\$24



Wet-Dry Foot Control

- Precision-touch disc foot control with wet-dry toggle

F-1210	MSRP \$182	Foot control, wet-dry <i>Shown</i>	\$145
F-1210R	MSRP \$225	Wet-dry foot control with relay, A-dec style.....	\$171
F-1229	MSRP \$14	Toggle repair kit.....	\$9
V-1550	MSRP \$5	Replacement toggle.....	\$3
V-1518	MSRP \$35	Relay valve.....	\$24
F-1241	MSRP \$46	Main valve repair kit <i>Full kit, includes dome</i>	\$39



Single Bottle Clean Water System

- Includes regulator, city/bottle toggle, gauge
- Dispenses fluid to syringe and handpieces
- Perfect for clean water or bactericidal solutions
- Mounts almost anywhere
- Post clamp (S-1391) and vertical surface mount included
- Heavy duty bottle
- 2 year warranty

MSRP \$299 AND UP

C-2805-1	1 litre bottle <i>Shown</i>	\$219
C-2805-1.5	1.5 litre bottle.....	\$229
C-2805-2	2 litre bottle.....	\$239



Twin Bottle Clean Water Disinfection System

- Includes regulator, disinfection toggle, gauge
- Flushes water lines with disinfectant
- Air purges disinfectant from water lines
- Re-introduces clean water to lines
- Post clamp (S-1391) and flat surface mount included
- Heavy duty bottles
- 2 year warranty

MSRP \$459 AND UP

C-2815-1	1 litre bottles <i>Shown</i>	\$359
C-2815-1.5	1.5 litre bottles.....	\$369
C-2815-2	2 litre bottles.....	\$379



Replacement Heavy Duty Bottles

These bottles fit most existing clean water systems with no adapters required, and feature extra heavy duty walls for strength. Each option includes a cap, pick-up tube and a 2 year warranty.

1 Litre Bottle

P-1811-1L	MSRP \$21
IN STOCK NOW	\$19
6 OR MORE, EACH	\$16

2 Litre Bottle

P-1811-2L	MSRP \$27
IN STOCK NOW	\$25
6 OR MORE, EACH	\$21

1.5 Litre Bottle

P-1811-1.5L	MSRP \$24
IN STOCK NOW	\$23
6 OR MORE, EACH	\$19

Replacement Gasket

R-C1804-1B	
IN STOCK NOW	\$2

Pressure Head Assembly

- Build your custom fluid delivery system
- 2 year warranty

R-C1804-1	MSRP \$41
IN STOCK NOW	\$32

Order with FTP Port

- Includes 1/8" FPT port for gauge
- 2 year warranty

R-C1804-1D	MSRP \$45
IN STOCK NOW	\$35



Quick Disconnect Water Bottle Upgrade Kit, Extra Heavy Duty

- Upgrade kit to change most systems to QD
- Extra heavy duty upgrade kit changes most systems to quick disconnect
- Saves wear and tear on bottle neck threads
- Fast and easy to install, no adhesive required
- Positive push/pull lock, all metal design—no tabs to break off
- 2 year warranty

C-1861	MSRP \$112
IN STOCK NOW	\$79
6 OR MORE, EACH	Save \$258

Extra QD Bottle Adapter for Multiple Bottles

- Machined delrin
- Includes gasket
- 2 year warranty

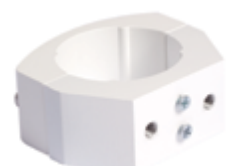
R-C2804-6A	MSRP \$43
IN STOCK NOW	\$35
6 OR MORE, EACH	\$29



Heavy Duty Clamp

- Use to mount water bottle systems to post
- Fits 2" posts
- Durable powdercoat
- 2 year warranty

S-1391	MSRP \$99
IN STOCK NOW	\$79





H-1080G



H-1075G

Aseptic Hanger, Slot Mount

- Your choice of HVE or syringe style, in grey or white
- Smooth, seamless aseptic design
- Easy to wipe down
- Exclusive non-yellowing material
- Fits 1/2" OD hanger bars

- H-1080W HVE hanger, white
- H-1080G HVE hanger, grey *Shown*
- H-1075W Syringe hanger, white
- H-1075G Syringe hanger, grey *Shown*

MSRP \$39
IN STOCK NOW \$25

Aseptic Handpiece Hanger, Slot Mount

- Normally closed, no lockout
- Smooth, seamless aseptic design
- Easy to wipe down
- Exclusive non-yellowing material
- Fits 1/2" OD hanger bars

- H-1070W White *Shown*
- H-1070G Grey

MSRP \$55
IN STOCK NOW \$45
4 OR MORE, EACH \$36



Standard Handpiece Hanger

- Aluminum back, choice of grey or black plastic front
- Fits all 1/2" OD hanger bars
- Normally closed
- With/without lockout toggle

Mix and match for savings!

- H-1000G Grey hanger, no lockout
- H-1000GL Grey hanger, with lockout *Shown*
- H-1000B Black hanger, with lockout

MSRP \$65
IN STOCK NOW, EACH \$55
4 OR MORE, EACH \$48



Standard Hanger

- Holds syringe, SE, or universal HVE by tip
- Fits all 1/2" OD hanger bars
- Aluminum back, grey or black plastic front

Mix and match for savings!

- H-1010G Hanger, grey *Shown*
- H-1010B Hanger, black

MSRP \$35
IN STOCK NOW, EACH \$22
6 OR MORE, EACH \$18



Standard HVE Hanger

- Holds standard HVEs by base
- Fits all 1/2" OD hanger bars
- Aluminum back, grey or black plastic front

Mix and match for savings!

- H-1020G HVE hanger, grey *Shown*
- H-1020B HVE hanger, black

MSRP \$35
IN STOCK NOW, EACH \$24
4 OR MORE, EACH \$20



Replacement Toggle

- Tough but flexible

- V-1540G Grey on/off
- V-1540B Black on/off
- V-1545G Grey momentary
- V-1545B Black momentary

MSRP \$3
IN STOCK NOW, EACH \$2



Economy Hanger

- Mounting bracket and screws included
- Use for syringes or handpieces

- H-1009G Grey syringe/handpiece hanger *Shown*
- H-1009B Black syringe/handpiece hanger
- H-1011G Grey HVE (by base) hanger
- H-1011B Black HVE (by base) hanger

MSRP \$20
IN STOCK NOW, EACH \$15





- | | |
|---------------------------------------------------------------------------------------------------------------------------------------------------------------------------------------------------------------------------------------------------------------------------------------------------------------------------------------------------------------------------------------------------------------------------------------------------------------------------------------------------------------------------------------------------------------------------------------------------------------------------------------------------------|--------------------------------------------------------------------------------------------------------------------------------------------------------------------------------------------------------------------------------------------------------------------------------------------------------------------------------------------------------------------------------------------------------------------------------------------------------------------------------------------------------------------------------------------|
| <p>E-1550 24V, 150W for the following brands:
J. Morita, LSM, Eurodent, Planmecca Delight,
Faro Sunlight 70 (OEM), Siemens A1/E1 Sirona, SDS 1350,
Knight Model L, Midmark,
A-dec Cascade OEM #041-179-01 <i>Save \$12</i> \$12</p> <p>E-1551 24V, 150W for the following brands:
Pelton & Crane LF Plus, LF-I, LF-II <i>Save \$10</i> \$29</p> <p>E-1552 12V, 55W for the following brands:
A-dec Performer, Belmont 040/047/047/048/049,
Belmont Excalibur, Chayes Virginia, Healthco Aristocrat,
Healthco Celebrity, Celux <i>Save \$27</i> \$22</p> | <p>E-1554 12V, 150W for the following brands:
Porter Daystar S-90B, Faro Sunlight 70, Marus,
Faro Kool Beam/Sunlight S-90/S2000,
Knight Manufacturing, Schein Crusader/Star-brite,
Ritter K Super Starlight <i>Save \$12</i> \$27</p> <p>E-1555 17V, 95W for Cascade 6300 (A-dec #041.709.00)
<i>Replaces older 24V, 150W bulbs Save \$12</i> \$27</p> <p>E-1556 24V, 60W with black tip, for Belmont 501074,
Belmont Ciesta <i>Save \$10</i> \$39</p> |
|---------------------------------------------------------------------------------------------------------------------------------------------------------------------------------------------------------------------------------------------------------------------------------------------------------------------------------------------------------------------------------------------------------------------------------------------------------------------------------------------------------------------------------------------------------------------------------------------------------------------------------------------------------|--------------------------------------------------------------------------------------------------------------------------------------------------------------------------------------------------------------------------------------------------------------------------------------------------------------------------------------------------------------------------------------------------------------------------------------------------------------------------------------------------------------------------------------------|






Replacement Pelton Lamp Socket

• LF-I, OEM #007028

E-1580 MSRP \$49
IN STOCK NOW *Save \$14* **\$35**



OP Light Replacement Splash Shields

- | | | |
|--------------------------------------------------------------------------------------------------------------------------------------------------------------------------------------------------------------------------------------|-----------------------------------------------------------------------------------------------------------------------------------------------------------------------------------------------------------------------------------------|----------------------------------------------------------------------------------------------------------------------------------------------------------------------------------------------------------------------------------------------------------------------|
|  <p>Belmont 046/047/048/049
C-1866 MSRP \$16
IN STOCK NOW <i>Save \$6</i> \$10</p> |  <p>Pelton & Crane LF-I
OEM #006777
C-1867 MSRP \$16
IN STOCK NOW <i>Save \$6</i> \$10</p> |  <p>Pelton & Crane LF-II
OEM #3321598
C-1868 MSRP \$22
IN STOCK NOW <i>Save \$6</i> \$16</p> |
|  <p>Ritter "J" Starlite & "K" Super Starlite
C-1869 MSRP \$21
IN STOCK NOW <i>Save \$6</i> \$15</p> |  <p>Belmont X-Calibur, Healthco Aristocrat
C-1872 MSRP \$15
IN STOCK NOW <i>Save \$6</i> \$9</p> | <p>Bowen Tech Tip</p> <p>You know it's time to replace your splash shield at the first signs of wear and tear, such as cracking or discoloration. The same applies to the glass reflector, when the reflective coating begins to separate from the glass.</p> |



**DCI Precision Comfort
2-Button 3-Way Syringe**

Indexing syringe tips on next page.

- Ergonomic finger rest
- 45% softer button action
- 30% increased angle
- 20% increased button size

3600 MSRP \$149
IN STOCK NOW \$119
4 OR MORE, EACH \$109



**DCI Precision Comfort
1-Button Syringe**

Indexing syringe tips on next page.

- Infinitely adjustable button control allows delivery of the exact amount of air or water desired
- Can be installed for dedicated water or air only

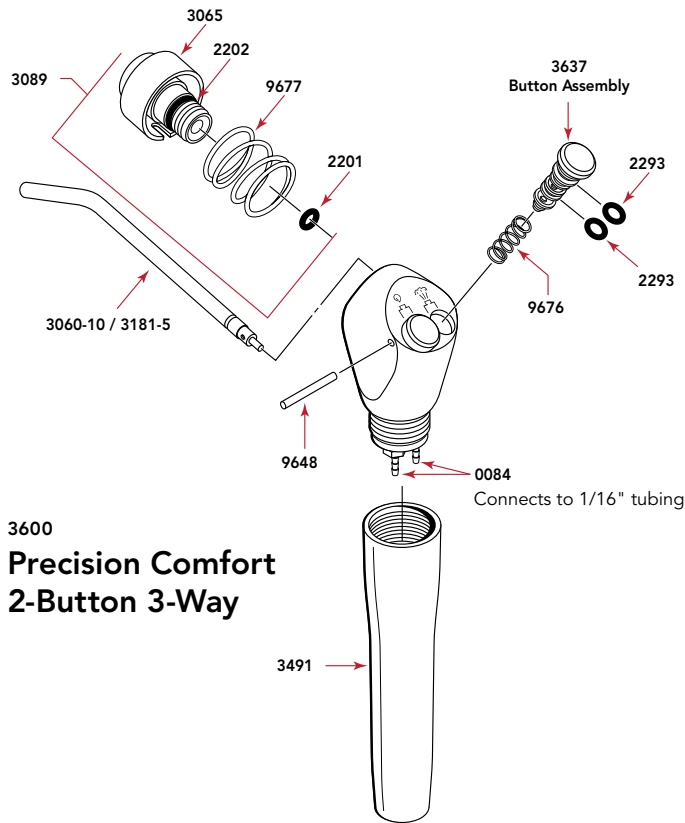
3640 MSRP \$149
IN STOCK NOW \$119
4 OR MORE, EACH \$109

Replacement DCI Syringe Parts

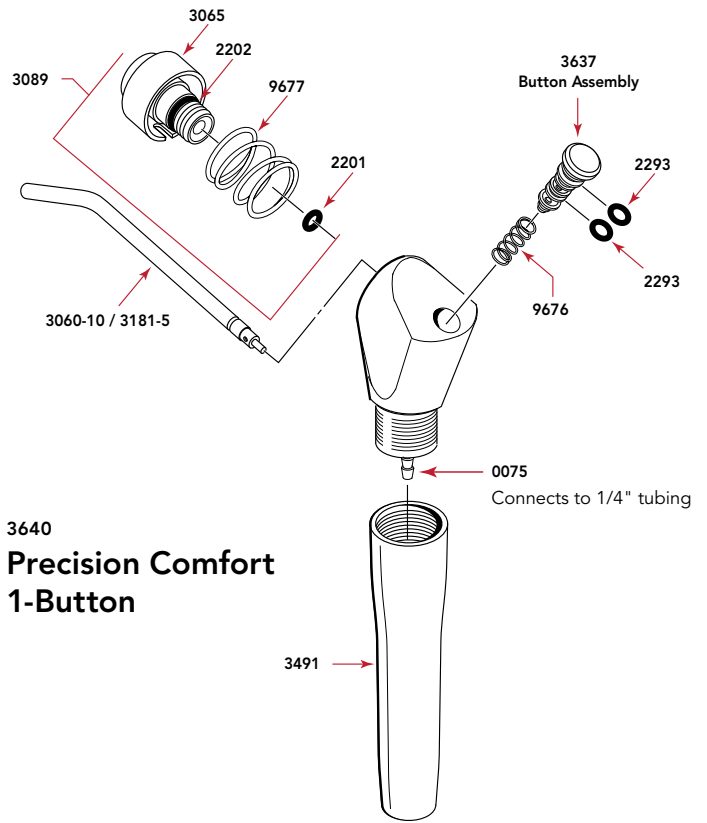
0075	Barb, 10-32 & washer 10-pack	\$8
0084	Barb, 8-32 & washer 10-pack	\$9
2201	O-ring 12-pack	\$16
2202	O-ring 12-pack	\$16
2293	O-ring 12-pack	\$16

3065	Tip adapter assembly	\$32
3060-10	Tip 10-pack	\$89
3089	Quick-Change tip adapter kit	\$36
3181-5	Indexing tip 5-pack	\$39
3491	Handle	\$15

3637	Button with spring	\$19
3631	Button repair kit	\$19
9648	Pin, Quick-Clean button	\$2
9676	Spring, button	\$1.25
9677	Spring, tip adapter	\$0.95



3600
**Precision Comfort
2-Button 3-Way**



3640
**Precision Comfort
1-Button**

DCI Cartridge & Spring

- 3637 MSRP \$24
 • For models 3600 and 3640

IN STOCK NOW \$19



DCI Syringe Repair Kit

- 3066 MSRP \$24
 • For models 3430 and 3450

IN STOCK NOW \$19



Realize savings.

All advertised prices are held over from 2025 for a limited time... stock up and take advantage of these savings!



DCI Syringe Tips

Fits syringes 3370, 3379, 3411, 3430, 3450, 3480, 3600, 3640

10-PACK MSRP \$109

3060-10	10-pack	Only \$8.90 each	\$89
3060-20	20-pack	Only \$7.25 each	\$145
3060-30	30-pack	Only \$6 each	\$180

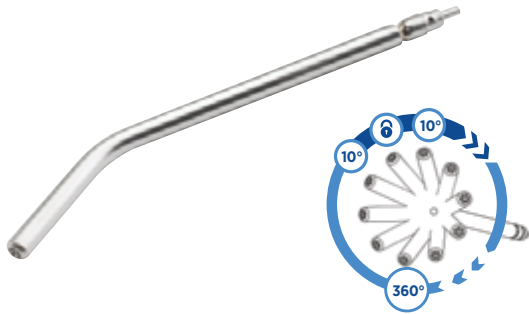


A-dec Style Syringe Tips by DCI

With alignment rings. Fits most A-dec models.

10-PACK MSRP \$109

3054-10	10-pack	Only \$8.90 each	\$89
3054-20	20-pack	Only \$7.25 each	\$145
3054-30	30-pack	Only \$6 each	\$180

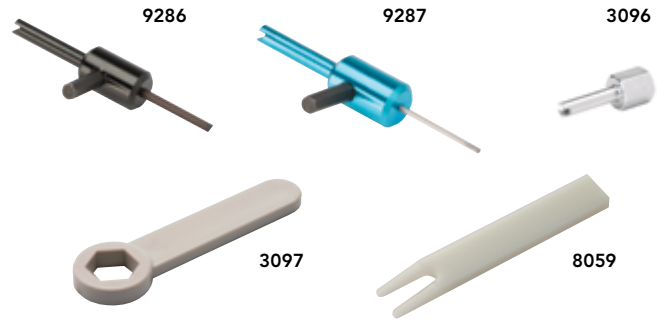


DCI Indexing Syringe Tips

Metal autoclavable tips rotate in 10° increments then lock into place for a total 360° of rotation.

- Fits syringes 3370, 3379, 3411, 3430, 3450, 3480, 3600, 3640
- Interchangeable in most common syringe heads
- Provides resistance to rotation in the DCI quick-change adapter to facilitate cheek retraction
- Patented design exclusive to DCI
- 5-pack

3181-5 MSRP \$59
IN STOCK NOW \$39



DCI Syringe Tools

Our best sellers, essential for every dental operator.

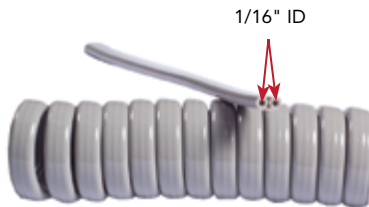
9286	For use with most A-dec syringes	\$23
9287	For use with most DCI quick tip style syringes	\$17
8059	Syringe button removal tool <i>Allows for gentle, scratch-free button removal from head of syringes</i>	\$20
3096	Valve core tool <i>Fits most brands of syringes with an internal bicycle-style valve core</i>	\$5
3097	Syringe nut tool <i>Fits most older model syringes with manual nut lock for syringe tips</i>	\$4

Aseptic 2-Hole Coiled Syringe Tubing

From Parts Warehouse

- T-1767 2-hole grey
- T-1768 2-hole black *Limited stock*

MSRP \$22 EACH
IN STOCK NOW, EACH \$13



Aseptic 2-Hole Straight Syringe Tubing

From Parts Warehouse

- Grey
- Also available in black, sterling, or sand by special order

T-1759-100RG MSRP \$2.95/FT
IN STOCK NOW, PER FOOT \$1.30

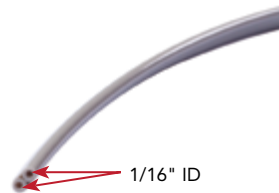




Photo for illustrative purposes only.

Protect your investment with ToeSok.

The clear vinyl ToeSok toe board cover is available in three styles to fit dozens of popular brands of dental chairs. This is a cost-effective way to protect your investment from the harsh disinfectants needed for proper deep cleaning and keeps upholstery looking crisp and clean.



- Clear industrial-grade vinyl quickly slips over toe of chair
- Sure Grip prevents the cover from sliding off
- Industrial strength elastic backing
- Precision trimming for a professional custom look
- No-crease packaging ensures quality look once installed

- A-4210 Toe Board Cover, Regular** Fits A-dec 1005, 1020, 1021, 1040, Bel 10, Belmont, Beaverstate, Boyd, Dentech U2 & Endurance, DTE (except "J" & "S" chairs), Engle, Forest, Healthco Celebrity, MDT, Marus, Midmark, P & C (Chairman & Coachman), Ritter Knight, Royal and others.
- A-4215 Toe Board Cover, Plush** Fits A-dec Plush, Belmont Plush, Midmark Plush, Pelton & Crane Plush, and many other plush upholsteries.
- A-4220 Toe Board Cover, Slimline** Fits A-dec 311/411/511, DCI, KaVo, Dentech ECO19, ECO21, Sting, Pedo chairs and many other thin upholstery sets.

MSRP \$109

IN STOCK NOW, EACH *Save \$24*..... \$85



Stainless Steel Instrument Tray

- 9-3/4"-x-13-1/2"
- Premium stainless steel

C-1815 MSRP \$69
WHILE STOCK LASTS Save \$17 **\$52**



Post Mount Tray Table

- Rugged molded plastic
- Swivels for optimum placement
- Includes post mount, clamp selection
- Approximate size 14"-x-10" oblong
- Surf finish

C-1824 MSRP \$189
WHILE STOCK LASTS Save \$50 **\$139**



Plastic Tray Holder

- Holds instrument tray securely
- Easy to drill and mount to any bracket
- Surf finish

C-1819 MSRP \$30
WHILE STOCK LASTS Save \$14 **\$16**



Post Mount Utility Tray

- Clamps onto 2" OD post
- 10"-x-10" surface area
- Sturdy, heavy gauge aluminum
- Tough, white powdercoat finish

C-1816 MSRP \$209
WHILE STOCK LASTS Save \$50 **\$159**



Swing Tray

- 12"-x-12" work surface
- 13" pivot arm with 1/2" pin
- Not recommended for telescopic arms
- Tough, white powdercoat finish

C-2090 MSRP \$195
IN STOCK NOW Save \$46 **\$149**

Cavitron Adapter Sleeve

- Use to hold Cavitron in handpiece or syringe holder
- Slides up over Cavitron handle and secures in place
- Locks in place with set screw

P-1078 MSRP \$23
IN STOCK NOW Save \$10 **\$13**



Cavitron Type Insert O-ring

- Fits Autoscaler, Cavitron Jet Nozzle, SlimLine, P Style, Cavitron Med & Pel inserts
- Autoclavable
- 12-pack

2307 MSRP \$30
IN STOCK NOW Save \$5 **\$25**



Autoscaler Replacement Handpiece & Tubing

- Fits 25K/30K units with serial number 9677 and up
- Tip not included

1900102 MSRP \$799
IN STOCK NOW Save \$100 **\$699**



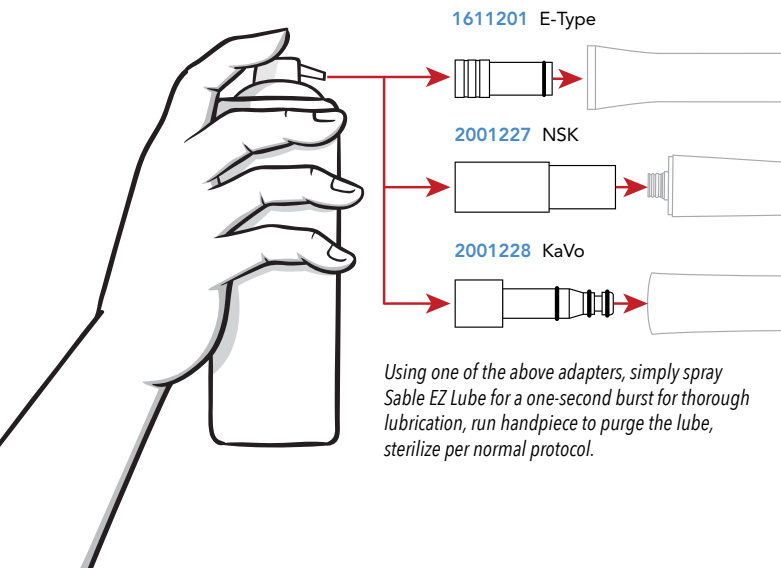
Sable EZ Lube cleans and maintains as it lubricates.

Made in North America with a 100% satisfaction guarantee!

Clinically tested and top of its class, Sable's EZ Lube consists of aerospace synthetic formula, is food grade safe and designed for all your high and slow speed handpieces, and will not break down during sterilization procedures.

During rigorous independent testing against major competing brands for bearing scar size, Sable EZ Lube ranked up to 250% better than the rest!

EZ Lube is available in three formats: a 500 ml spray can, a 60 ml dropper bottle featuring a needle tip applicator, and a 500 ml refill bottle which can be used as refills for your standalone cleaning and purging devices.



Sable EZ Lube Spray, 500 ml can

2200103 MSRP \$55
IN STOCK NOW \$49

Automated Handpiece Lubricating Machine Refill, 500 ml bottle

2200104 MSRP \$63
IN STOCK NOW \$55

Dropper Bottle, 60 ml with applicator

2200105 MSRP \$26
IN STOCK NOW \$21

Replacement Nozzles

1611201 Lubrication Nozzle for E-Type attachment \$17
2001227 Lubrication Nozzle for NSK High Speed \$14
2001228 Lubrication Nozzle for KaVo High Speed \$21

Bowen Products Limited
1b-30528 Great Northern Avenue
Abbotsford, B.C. V2T 6H4

VISIT bowenproducts.com
EMAIL info@bowenproducts.com

CALL 1-800-663-2541
FAX 1-800-665-4788

Advertised specials effective April 1 to June 30, 2026 and are subject to change without notice. All prices in Canadian funds and unless otherwise stated are per single unit and are subject to change without notice. Bowen reserves the right to choose shipping carrier. © 2026 Bowen Products Limited. All rights reserved. No part of this publication may be reproduced by any means, electronic or mechanical, including the internet without the written permission of the publisher. All registered trade names are property of their respective manufacturers and corporations. Sable Industries Inc. and Bowen Products Limited are in no way affiliated with OEM companies. Neither Bowen nor Sable are endorsed by any of the registered trademarks or their products and services, including but not limited to compatibility with OEM components. Sable Industries products and components are not OEM. All product images were current at time of printing but may change without notice. View our return policy at bowenproducts.com/shipping-returns. E & OE. Graphic design by Harv Craven Design. Printed by MTS Logistics.

